

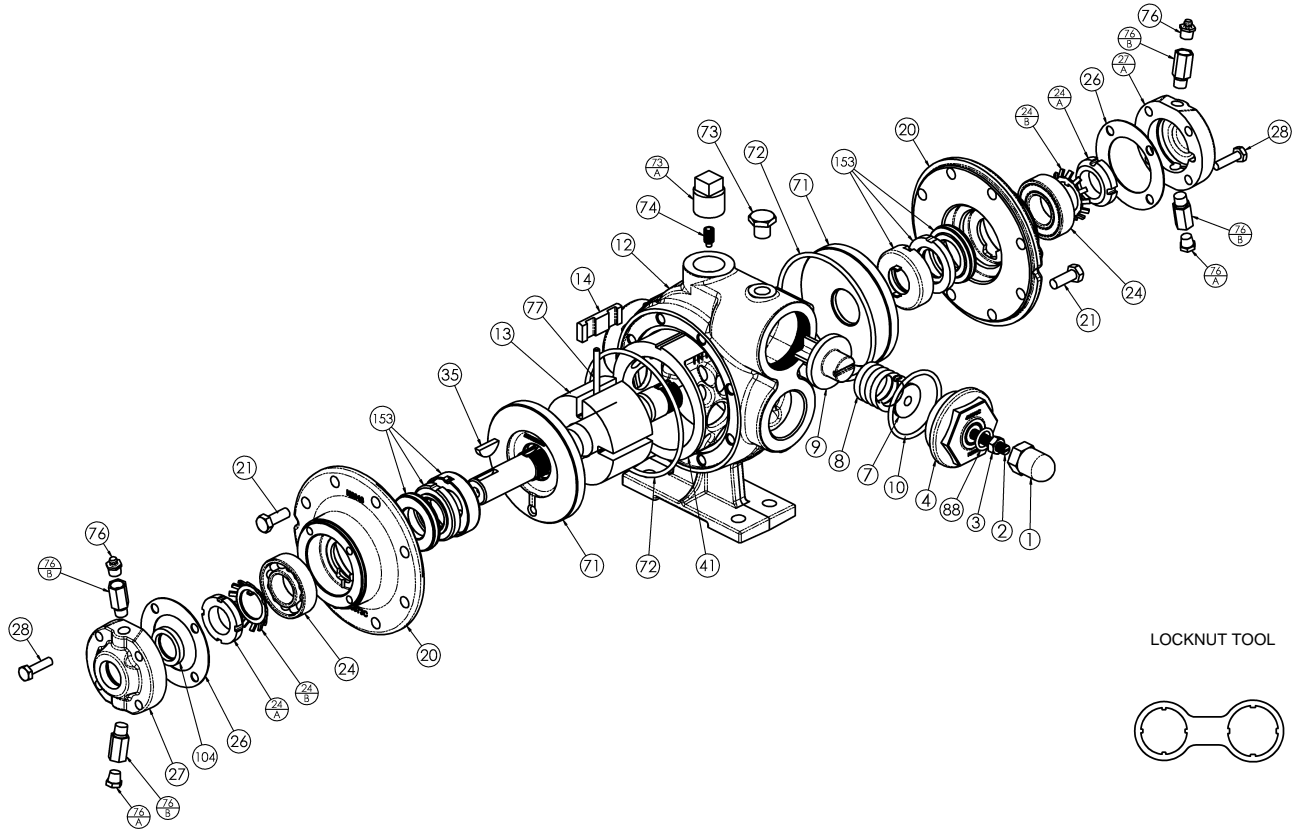
# BLACKMER PARTS LIST

## PUMP MODELS: CRLR1.25, CRL1.25, CRL1.5 (See Instructions 701-A00 for Installation, Operation and Maintenance)

962301  
Page 1 of 2

**PARTS LIST**  
**701-A01**

Section 701  
Effective July 2002  
Replaces May 2002



Ref. No.	Description	Parts per Pump	Part No.	Ref. No.	Description	Parts per Pump	Part No.
1	Cap – Relief Valve (R/V)	1	413200	41	Liner – CRLR1.25	1	<sup>2</sup> 183003
2	Adjusting Screw – R/V	1	433909		Liner – CRL1.25		<sup>2</sup> 183004
3	Locknut – Adjusting Screw	1	922923		Liner – CRL1.5		<sup>2</sup> 183301
4	Cover – R/V	1	413076	71	Disc	2	<sup>2</sup> 063075
7	Spring Guide – R/V	1	423955	72	O-Ring – Head	2	<sup>1</sup> 701918
8	Spring – R/V (81 – 125 psi)	1	471428	73	Gage Plug (1/4")	1	908198
9	Valve – R/V	1	453077	73A	Gage Plug (3/4") (see note)	1	908225
10	O-Ring – R/V Cover	1	<sup>1</sup> 711924	74	Setscrew – Liner	1	922088
12	Casing (1.25)	1	013075	76	Grease Fitting	2	317815
	Casing (1.5)		013376	76A	Grease Relief Fitting	2	701992
13	Rotor & Shaft Assembly (Includes Ref. Nos. 24A & 24B)	1	<sup>2</sup> 263076	76B	Extension Coupling	4	701905
				77	Push Rod – CRLR1.25	2	<sup>1</sup> 123004
Push Rod – CRL1.25	<sup>1</sup> 123076						
Push Rod – CRL1.5	<sup>1</sup> 123401						
14	Vane – Laminate	4	<sup>1</sup> 093089	88	O-Ring – R/V Cap	1	<sup>1</sup> 701949
20	Head	2	033076	104	Grease Seal	1	<sup>1</sup> 331927
21	Capscrews – Head	16	920276		Tool – Locknut		909030
24	Ball Bearing	2	<sup>1</sup> 903114		Kit - Maintenance , CRLR1.25		898902
24A	Locknut – Bearing	2	<sup>2</sup> 903534		Kit - Maintenance , CRL1.25		898903
24B	Lockwasher – Bearing	2	<sup>1</sup> 903533		Kit - Maintenance , CRL1.5		898904
26	Gasket – Bearing Cover	2	<sup>1</sup> 383075		Kit – Rebuild ,CRLR1.25		899002
27	Bearing Cover – Inboard	1	043070		Kit – Rebuild ,CRL1.25		899003
27A	Bearing Cover – Outboard	1	043071		Kit – Rebuild ,CRL1.5		899004
28	Capscrews – Bearing Cover	8	920080				
35	Key – Shaft	1	<sup>2</sup> 909125				

<sup>1</sup> Included in Maintenance Kits and Rebuild Kits

<sup>2</sup> Included in Rebuild Kits

Ref. No. 73A: Earlier versions of these pumps may use a 1/4" plug (pn 908198) or 1/2" plug (pn 908215).

Note: earlier versions of these pumps used taper pins, which are no longer required.

Keep this parts list with Installation, Operation and Maintenance Instructions.

### MECHANICAL SEAL

Ref. No.	Part Name	Parts Per Pump	Part No.
153	Mechanical Seal Assembly (CELE)	2	<sup>1</sup> 333025
153A**	Stationary Seat (Carbon)	2	333023
153B**	Seal Face (Silicon Carbide)	2	333024
153C**	Jacket Assembly	2	333001
153D	O-Ring – Stationary (Special-EPDM)	2	702351
153E	O-Ring – Rotating (Special-EPDM)	2	702350

<sup>1</sup> Included in Maintenance Kits and Rebuild Kits

\*\* Ref. Nos. 153A, 153B, 153C are not available as separate replacement parts.

