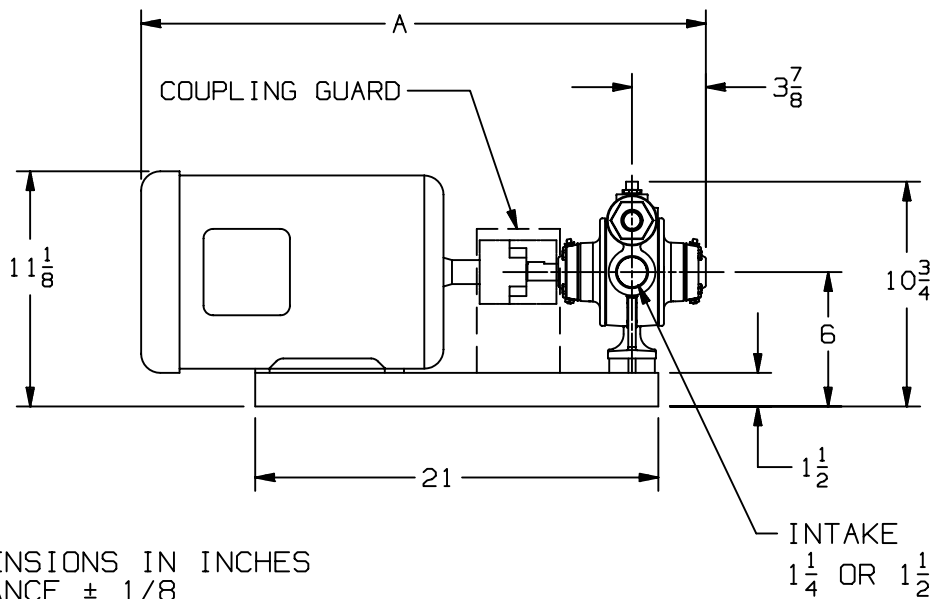
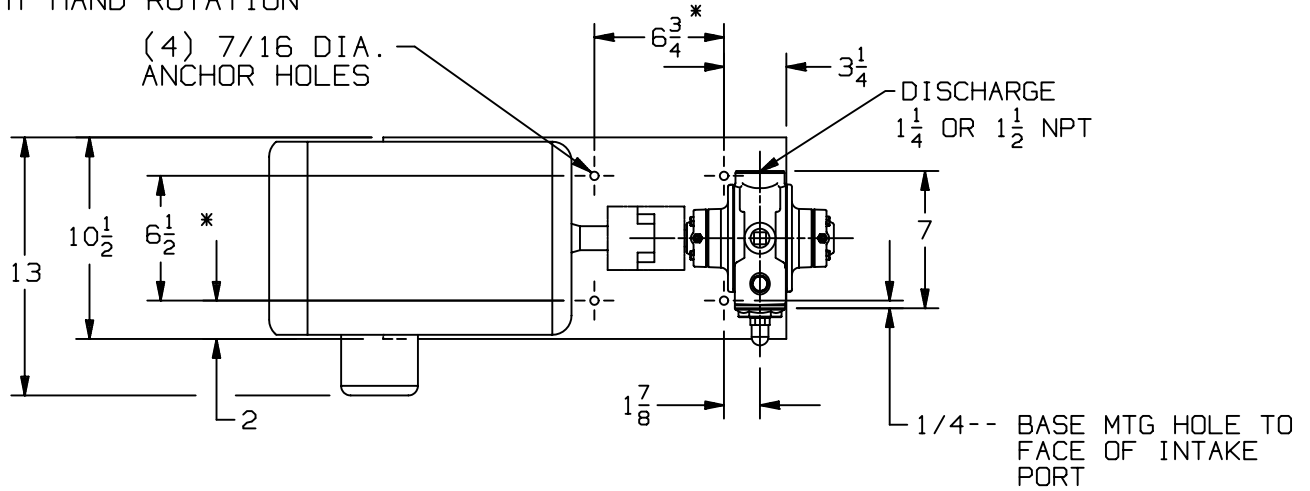


TYPE	SIZE	UNIT STYLE
CRL	1.25	DM
	1.5	

DIMENSIONS 701-113

Section	701
Effective	August 2002
Replaces	December 2000
Page	1/2

RIGHT HAND ROTATION



ALL DIMENSIONS IN INCHES
* TOLERANCE $\pm 1/8$
TOLERANCE ON OTHER DIMENSIONS $\pm 1/4$

PUMP SIZE	GPM AT 30 PSI	PUMP SPEED	H.P.	UNIT NO.	DIMENSIONS	
					A	
CRL1 1/4	9	900	1	842300	26 3/4	
CRL1 1/2	15	900	1 1/2	842600	28	

DIMENSIONS 701-113

Section 701
 Effective August 2002
 Replaces December 2000
 Page 2/2

TYPE

SIZE

UNIT
 STYLE

CRL

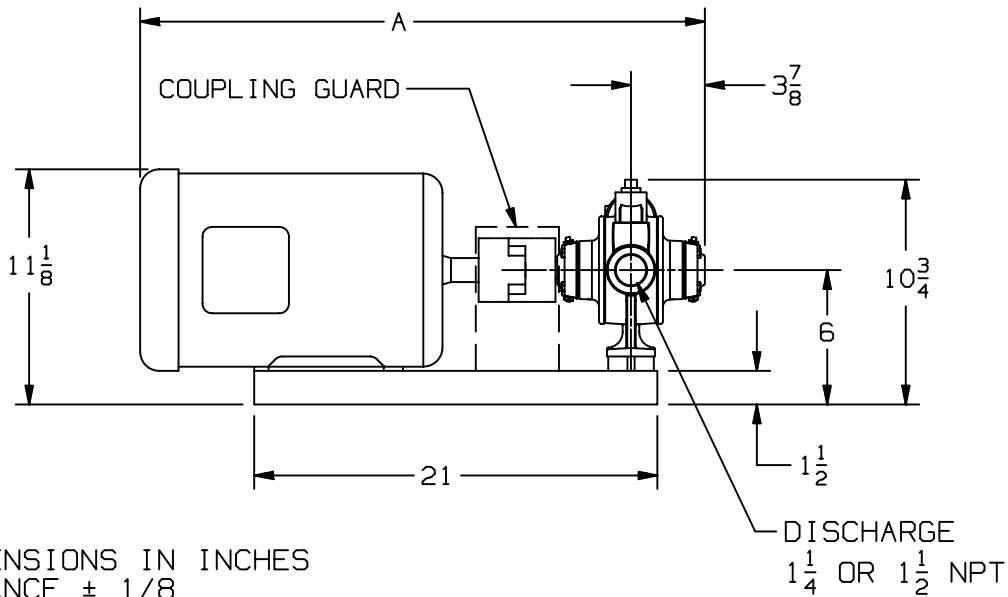
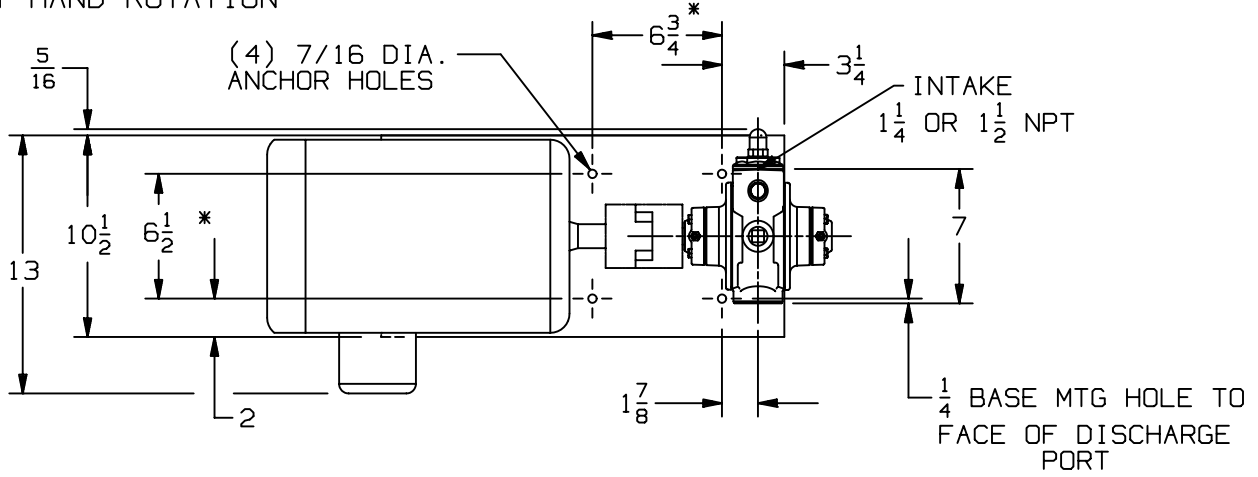
1.25

DM

1.5

blackmer
 PEOPLE PROVIDING FLOW TECHNOLOGY WORLDWIDE..
www.blackmer.com

LEFT HAND ROTATION



ALL DIMENSIONS IN INCHES
 * TOLERANCE $\pm 1/8$
 TOLERANCE ON OTHER DIMENSIONS $\pm 1/4$

PUMP SIZE	GPM AT 30 PSI	PUMP SPEED	H.P.	UNIT NO.	DIMENSIONS	
					A	
CRL1 1/4	9	900	1	842301	26 3/4	
CRL1 1/2	15	900	1 1/2	842601	28	