

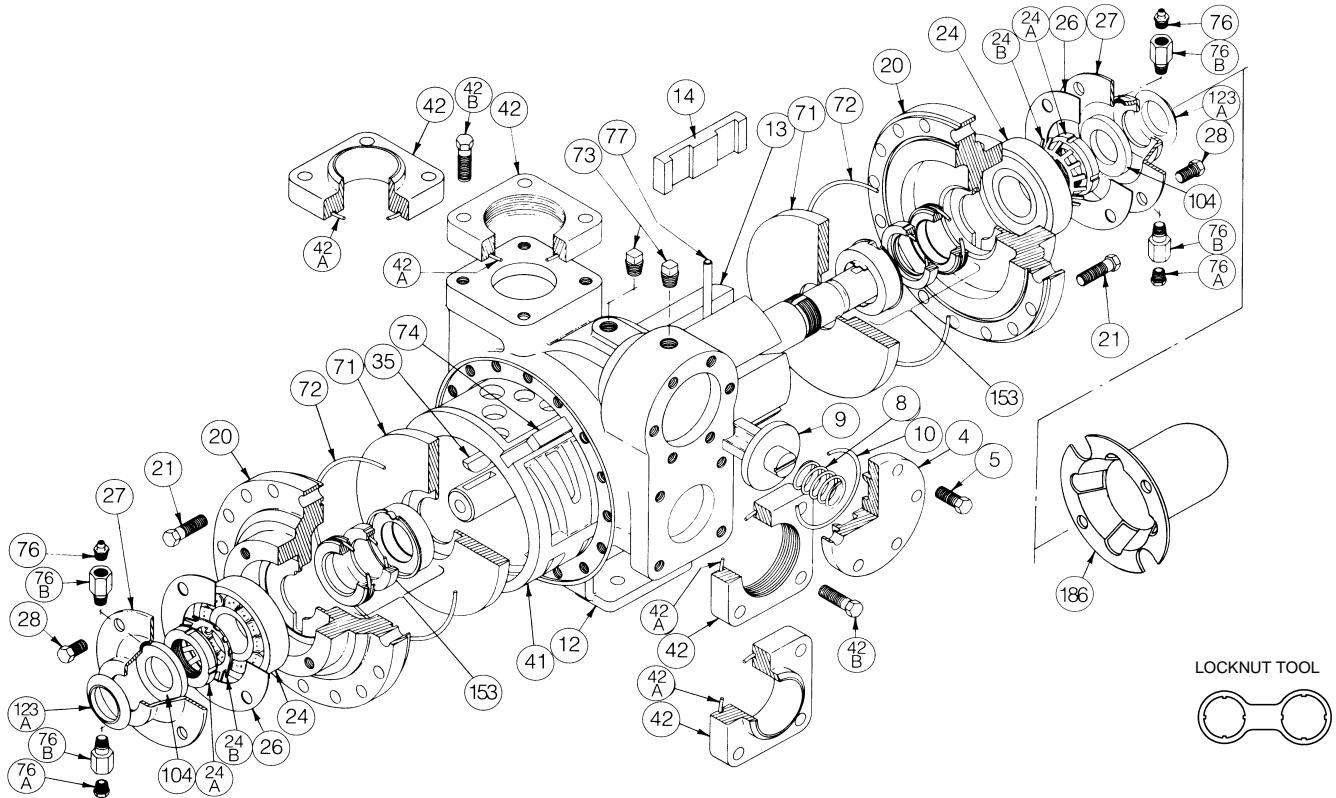
BLACKMER PARTS LIST

PUMP MODELS: CRL3-OE1

965182 **PARTS LIST**
Page 1 of 2 **701-B99**

Section 701
Effective July 2002
Replaces NEW

(See Instructions 785/E for Installation, Operation and Maintenance)



Ref. No.	Description	Parts per Pump	Part No.	Ref. No.	Description	Parts per Pump	Part No.
4	Relief Valve (R/V) Cover	1	415113	42	Flange – NPT	2	655112
5	R/V Cover Capscrews	6	920331		Flange – Weld		655102
8	R/V Spring (150 psi)	1	475135	42A	O-Ring – Flange	2	702002
9	R/V Valve	1	455129	42B	Capscrew – NPT Flange	8	920547
10	O-Ring – R/V Cover	1	701925		Capscrew – Weld Flange		920510
12	Casing	1	015127	71	Disc	2	065112
13	Rotor & Shaft Asy. * (Includes Ref. Nos. 24A & 24B)	1	265148	72	O-Ring – Head	2	702041
14	Vane – Laminate	6	095109	73	Gage Plug	2	908198
20	Head	2	035128	74	Liner Key	1	185191
21	Head Capscrews	40	920369	76	Grease Fitting	2	317815
24	Bearing	2	903166	76A	Grease Relief Fitting	2	701992
24A	Bearing Locknut	2	903523	76B	Extension Coupling	4	701905
24B	Bearing Lockwasher	2	903524	77	Push Rod	3	125105
26	Bearing Cover Gasket	2	385125	104	Grease Seal	2	331908
27	Bearing Cover	2	041815	123A	Dirt Shield	—	N/A
28	Bearing Cover Capscrews	12	920285	186	Shaft Protector	1	341801
35	Shaft Key	1	909130	—	Tool - Locknut	—	903091
41	Liner	1	185111				

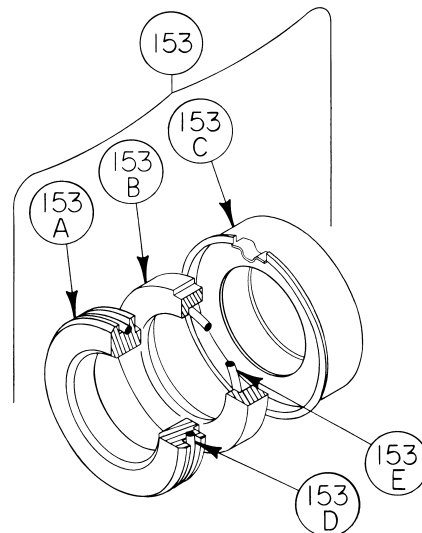
*Double Ended Rotor & Shaft.

Keep this parts list with Installation, Operation and Maintenance Instructions.

MECHANICAL SEAL

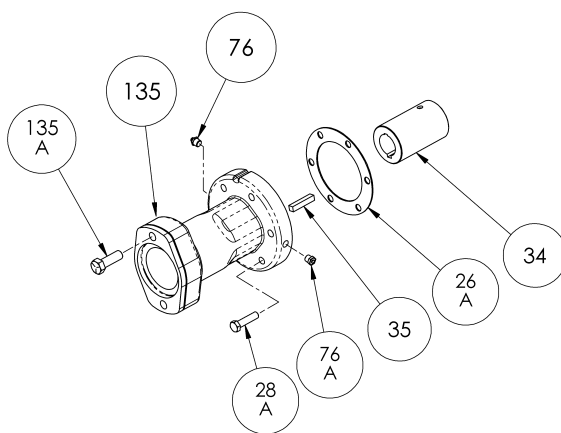
Ref. No.	Part Name	Parts Per Pump	Part No.
153	Mechanical Seal Assembly (SECE)	2	335224
153A*	Stationary Seat (Steel)	2	335126
153B*	Seal Face (Carbon)	2	331867
153C*	Seal Jacket Assembly	2	335128
153D	O-Ring – Stationary (Special-EPDM)	2	702355
153E	O-Ring – Rotating (Special-EPDM)	2	702353

* NOTE: Mechanical Seal Asy. (Ref. No. 153) is only sold as a complete assembly. Ref. Nos. 153A/153B/153C are not available as separate replacement parts.



OPTIONAL HYDRAULIC MOTOR ADAPTER PARTS

Ref. No.	Part Name	Parts Per Pump	Part No.
See Below	Hydraulic Motor Adapter Kit	See Below	895140
26A	Gasket- Hydraulic Motor Adapter	1	381817
28A	Capscrew – Hydraulic Motor Adapter / Head	6	920369
34	Coupling w/ Setscrew	1	906967
35	Key – Coupling	1	909184
76	Grease Fitting	1	317815
76A	Grease Relief Fitting	1	701992
135	Hydraulic Motor Adapter	1	041831
135A	Capscrew – Adapter / Motor	2	920510



CRL3