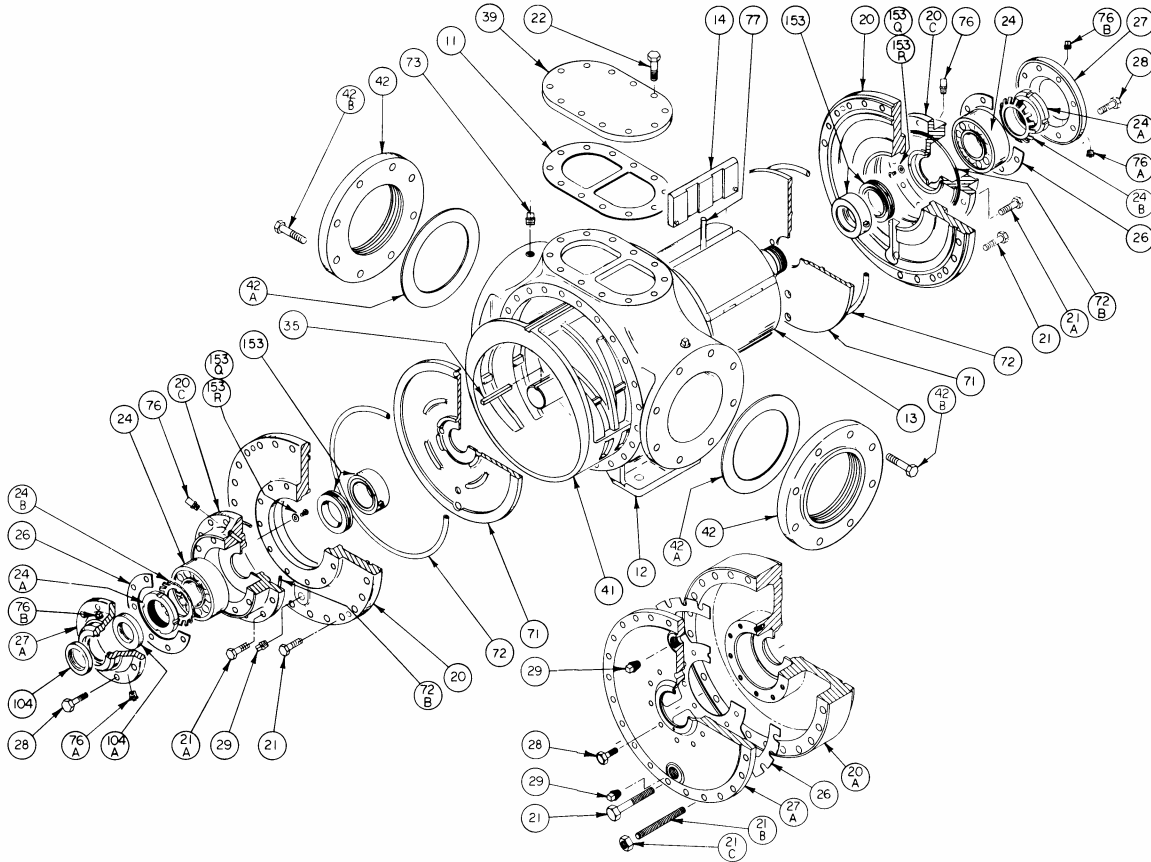


BLACKMER PARTS LIST

PUMP MODELS: HXL8G, HXLJ8G

(See Instructions 102-A00 or 185/E for Installation, Operation and Maintenance)

Section	102
Effective	July 2001
Replaces	185/E10 Oct95



Ref. No.	Description	Parts per Pump	HXL8 Part No.	HXLJ8 Part No.	Ref. No.	Description	Parts per Pump	HXL8 Part No.	HXLJ8 Part No.
11	Gasket - Blanking Plate	1	537752	537752	28	Capscrews - Bearing Cover	16 - 20	920510	920540
12	Casing	1	017718	017718	29	Drain Plug	2	908225	908235
13	FS Rotor & Shaft (Std.)	1	287747	—	35	Key - Shaft	1	909107	909107
	EC Rotor & Shaft		287748	287739	39	Blanking Plate	1	497708	497708
14	Vane - Duravane ¹	6	097700	097700	41	Liner	1	187705	187705
	Vane - EC Laminate (Std - HXL)		097707	097707	42	Flanges	2	657704	657704
	Vane - EC Cast Iron		097735	097735	42A	Gaskets - Flange	2	387711	387711
	Vane - EC Bronze (Std. - HXLJ)		097736	097736	42B	Capscrews - Flange	16	920790	920790
20	Heads (HXL)	2	037708	—	71	Discs	2	067711	067711
20A	Jacketed Heads (HXLJ)	2	—	037709	72	O-Rings - Head (Viton) (Std.)	2	711969	711969
20C	Hubs (HXL)	2	037748	—		O-Rings - Head (Buna-N)		711967	—
21	Capscrews - Head	44 - 48	920780	920823	72B	O-Rings - Hub (Viton)(HXL)(Std.)	2	711938	—
21A	Capscrews - Hub (HXL)	24	920510	—		O-Rings - Hub (Buna-N) (HXL)		701944	—
21B	Studs - Jacketed Head (HXLJ)	4	—	921656		73		Gage Plug	2
21C	Nuts - Jacketed Head (HXLJ)	4	—	922875	76	Grease Fitting	2	317815	317815
22	Capscrews - Blanking Plate	12	920640	920640	76A	Grease Relief Fitting	2	701992	701992
24	Bearings	2	903272	903272	76B	Plug - Bearing Cover (HXL)	1	908185	—
24A	Locknuts - Bearing ² (HXL)	2	903527	—	77	Push Rods	3	127705	127705
24B	Lockwashers - Bearing ² (HXL)	2	903528	—	104	Grease Seal	1 - 2	904180	904180
26	Gasket - Bearing Cover	2	387221	387709	104A	Grease Seal	1 - 2	904193	904193
27	Bearing Cover - Outboard	1	047205	047717	153Q	Retaining Screw - Seal	4	922763	922763
27A	Bearing Cover - Inboard	1	047707	047719	153R	Washer - Retaining Screw	4	909668	909668

¹Duravanes are suitable for differential pressures up to 100 psi maximum and shock-free service. FS = Full Size EC = Extra Clearance

²Jacketed Pump Models do not use Locknuts and Lockwashers (Ref. Nos. 24A & 24B).

RELIEF VALVE - OPTIONAL

Ref. No.	Part Name	Parts Per Pump	Part No.
1	Cap - Relief Valve (R/V)	1	417710
2	Adjusting Screw - R/V	1	437205
3	Locknut - Adjusting Screw	1	436655
4	Cover - R/V	1	417200
5	Capscrews - R/V Cover	6	920640
6	Body - R/V	1	407709
7	Spring Guide - R/V	2	427200
8	Spring - R/V (30-50 psi)	1	477702
	Springs - R/V (51-80 psi)	1 ea*	477701 & 477702
	Spring - R/V (81-100 psi)	1	476912
	Spring - R/V (101-150 psi)		477203
	SS Spring - R/V (81-100 psi)		476913
SS Spring - R/V (101-150 psi)	477204		
9	Valve - R/V	1	457215
10	Gasket - R/V Cover	1	536606
22	Capscrews - R/V Body	12	920640
45	Guide Rod - R/V	1	427205
88	Gasket - R/V Cap	1	536652

SS = Stainless Steel

* Use Springs 477701 & 477702 nested together.

MECHANICAL SEAL - STANDARD

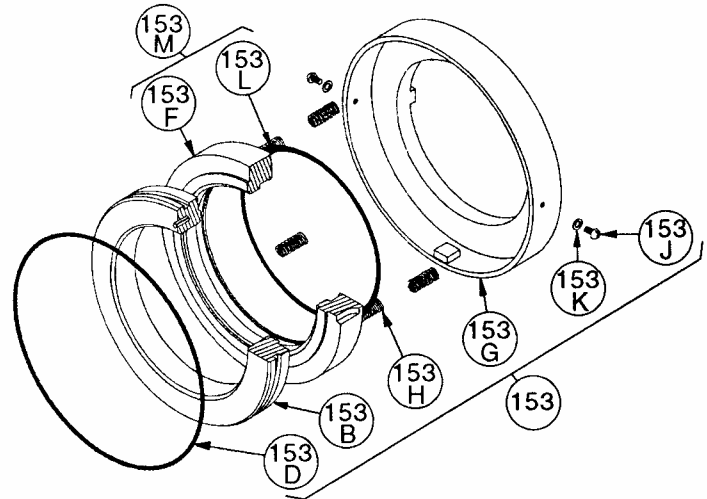
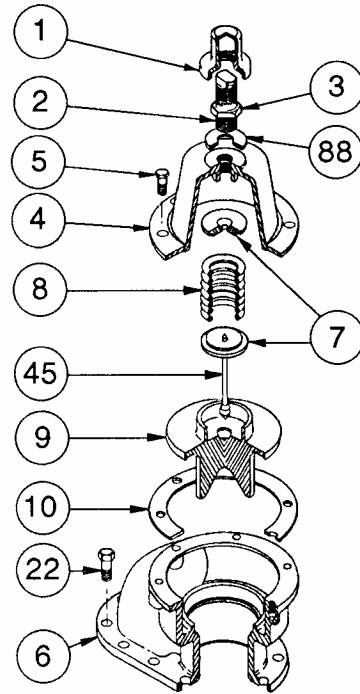
Ref. No.	Part Name	Parts Per Pump	Part No.
153	Mechanical Seal Asy. (RVCV)	2	337742
153B	Stationary Seat (Ni Resist)	2	337730
153D	O-Ring - Stationary (Viton)	2	701991
153F	Rotating Seal Face (Carbon)	2	337747
153G	Seal Jacket	2	337743
153H	Seal Springs	12	337716
153J	Screw - Seal Jacket	4	922740
153K	Lockwasher - Seal Jacket	4	909608
153L	O-Ring - Rotating (Viton)	2	701924

MECHANICAL SEAL - OPTIONAL

Ref. No.	Part Name	Parts Per Pump	Part No.
153	Mechanical Seal Asy. (RVBV)	2	337736
153B	Stationary Seat (Ni Resist)	2	337730
153D	O-Ring - Stationary (Viton)	2	701991
153F	Rotating Seal Face (Bronze)	2	337752
153G	Seal Jacket	2	337743
153H	Seal Springs	12	337716
153J	Screw - Seal Jacket	4	922740
153K	Lockwasher - Seal Jacket	4	909608
153L	O-Ring - Rotating (Viton)	2	701924

MECHANICAL SEAL - OPTIONAL

Ref. No.	Part Name	Parts Per Pump	Part No.
153	Mechanical Seal Asy. (RNCN)	2	337740
153B	Stationary Seat (Ni Resist)	2	337730
153D	O-Ring - Stationary (Buna-N)	2	701918
153F	Rotating Seal Face (Carbon)	2	337747
153G	Seal Jacket	2	337743
153H	Seal Springs	12	337716
153J	Screw - Seal Jacket	4	922740
153K	Lockwasher - Seal Jacket	4	909608
153L	O-Ring - Rotating (Buna-N)	2	701925



MECHANICAL SEAL - OPTIONAL

Ref. No.	Part Name	Parts Per Pump	Part No.
153	Mechanical Seal Asy. (RNCT)	2	337741
153B	Stationary Seat (Ni Resist)	2	337730
153D	O-Ring - Stationary (Buna-N)	2	701918
153G	Seal Jacket	2	337743
153H	Seal Springs	12	337716
153J	Screw - Seal Jacket	4	922740
153K	Lockwasher - Seal Jacket	4	909608
153M	Rotating Seal Face & Seal Ring Assembly (Carbon/Teflon)	2	337744