

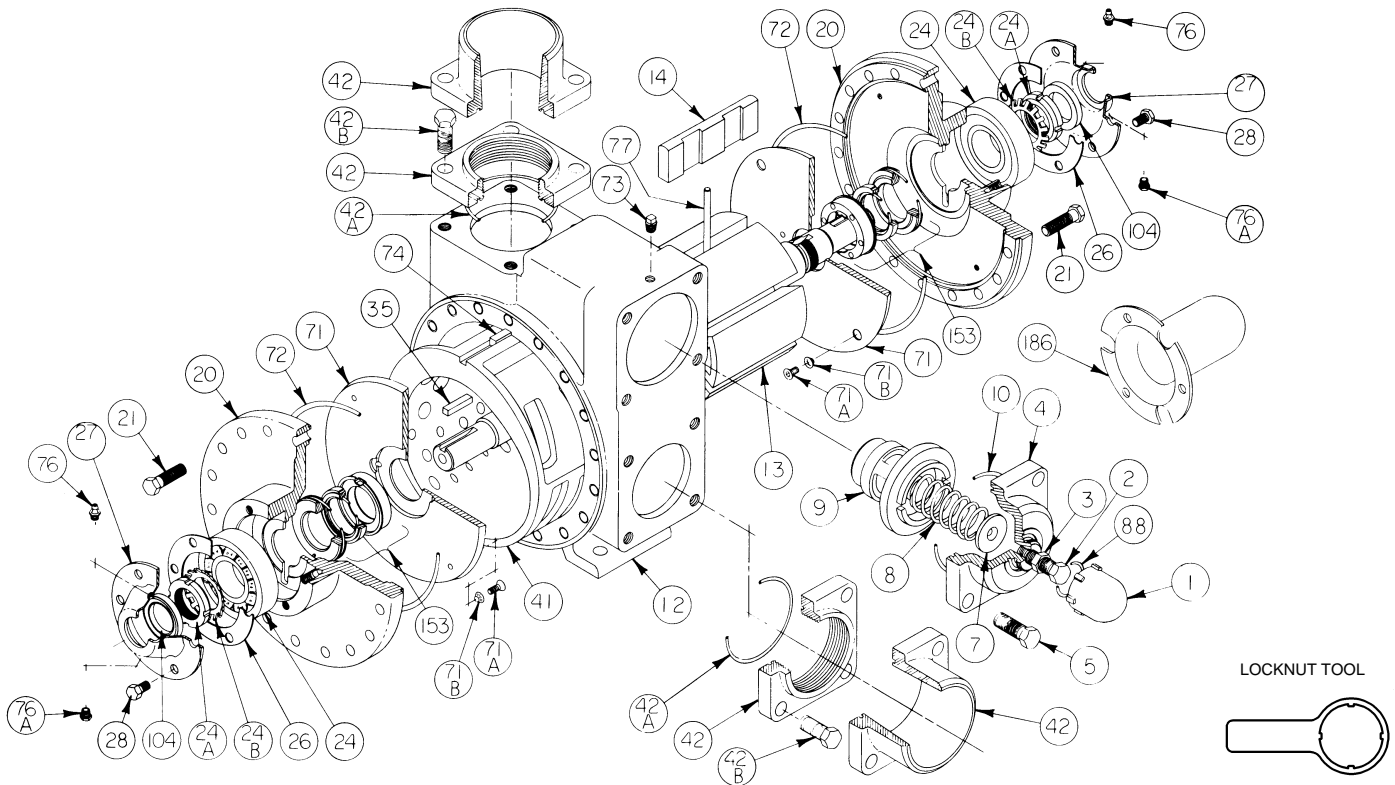
BLACKMER PARTS LIST

PUMP MODEL: CRL4A

DISCONTINUED MODELS: CRL4, TCRL4

(See Instructions 701-C00 for Installation, Operation and Maintenance)

Section 701
Effective July 2002
Replaces June 2002



Ref. No.	Description	Parts per Pump	Part No.	Ref. No.	Description	Parts per Pump	Part No.
1	Cap – R/V	1	413952	42	Flange – 3" NPT	1-2	652012
2	Screw – R/V Adjusting	1	436310		Flange – 3" Weld		652007
3	Locknut – Adjusting Screw	1	NOTE 3		Flange – 4" Weld		652005
4	Cover – R/V	1	412001	42A	O-Ring – Flange	2	¹ 701937
5	Capscrew – R/V Cover	4	920663	42B	Capscrew – NPT Flange	8	920663
7	Guide – R/V Spring	1	426355		Capscrew – Weld Flange		920640
8	Spring – Valve	1	NOTE 3	71	Disc	2	² 062039
9	Valve – R/V	1	452001	71A	Screw – Disc Machine	8	² 920015
10	O-Ring – R/V Cover	1	¹ 701946	71B	Lockwasher – Disc	8	² 909622
12	Casing – Pump	1	NOTE 3	72	O-Ring – Head (Buna-N)	2	¹ 702039
13	Rotor & Shaft Asy. w/Locknut & Lockwasher (Ref. No. 24A & 24B)	1	² 262024	73	Plug – Gage	2	908195
14	Vane – Laminate	6	¹ 092026	74	Key – Liner	1	² 182040
20	Head	2	032039	76	Fitting – Grease	2	317815
21	Capscrews – Head	36	920532	76A	Fitting – Grease Relief	2	701992
24	Ball Bearing	2	¹ 903172	77	Push Rod – Vane	3	¹ 122005
24A	Locknut – Bearing	2	² 903541	88	O-Ring – R/V Cap	1	¹ 701926
24B	Lockwasher – Bearing	2	¹ 903542	104	Seal – Grease	2	¹ 331908
26	Gasket – Bearing Cover	2	¹ 385125	186	Protector – Shaft End	1	341801
27	Cover – Inboard Bearing	2	041815		Tool - Locknut		903092
28	Capscrews – Bearing Cover	12	920286		Kit - Maintenance		898907
35	Key – Shaft	1	¹ 909183		Kit - Rebuild		899007
41	Liner – Casing	1	² 182000				

¹ Included in Maintenance and Rebuild Kits
² Included in Rebuild Kits
Keep this parts list with Installation, Operation and Maintenance Instructions.
Viton and Teflon are Registered Trademarks of E.I Dupont.

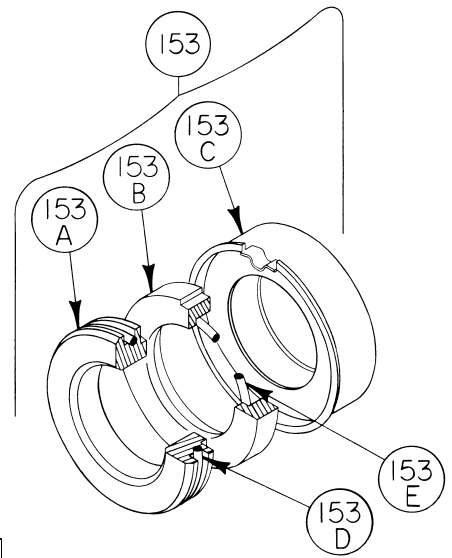
Note 3 – See Table on other side for proper parts.

MECHANICAL SEAL

Ref. No.	Part Name	Parts Per Pump	Part No.
153	Mechanical Seal Assembly (CELE)	2	¹ 332059
153A	Seat – Stationary (Carbon)	2	*332058
153B	Face – Seal (Silicon Carbide)	2	*335130
153C	Jacket Assembly – Seal	2	*332018
153D	O-Ring – Stationary (Special-EPDM)	2	702356
153E	O-Ring – Rotating (Special-EPDM)	2	702353

¹ Included in Maintenance and Rebuild Kits

* NOTE: Mechanical Seal Ref. No. 153 is only sold as a complete assembly. Ref Nos. 153A, 153B & 153C are not available as separate replacement parts.

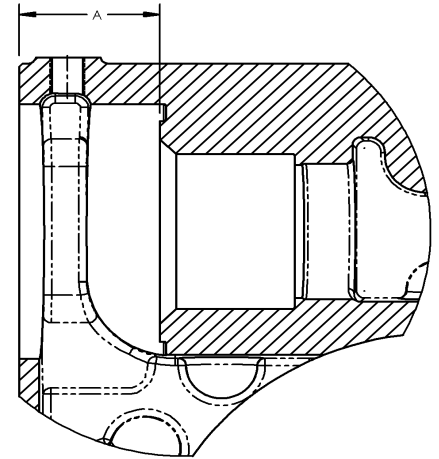
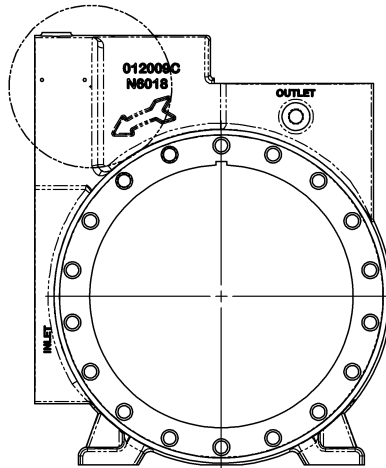


Use the table below to determine the proper parts for each model.

Ref. No	Part Name	Parts Per Pump	CRL4A	
			Part No.	Part No.
3	Locknut - Adjusting Screw	1	432039	436355
8	Spring - R/V	1	472039	476304
12	Casing	1	012009	012000

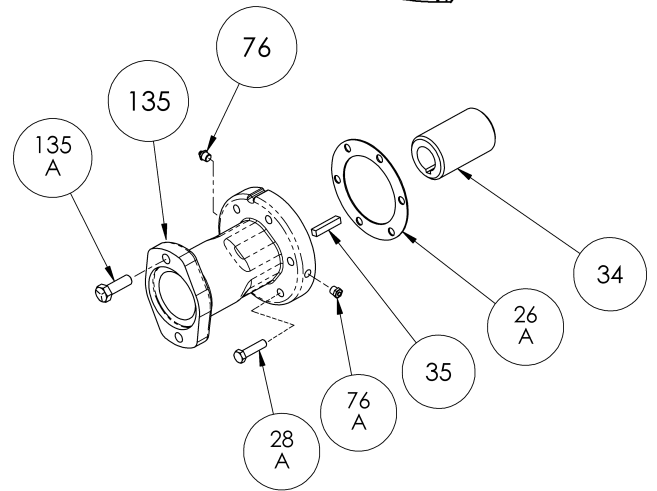
Use Dimension 'A' as shown in the drawing to determine the pump model number. The pump model number will also be shown on the nameplate.

Model	Dim 'A'	
CRL4A	2.19 in.	5.56 cm.
CRL4, TCRL4	1.75 in.	4.45 cm.



HYDRAULIC MOTOR ADAPTER PARTS

REF. NO.	PART NAME	PARTS PER PUMP	PART NO.
See Below	Hydraulic Motor Adapter Kit *	See Below	892037
26A	Gasket – Hydraulic Motor Adapter	1	381817
28A	Capscrew – Hydraulic Motor Adapter / Head	6	920369
34	Coupling w/ Setscrew	1	906970
35	Key – Coupling	1	909184
76	Grease Fitting	1	317815
76A	Grease Relief Fitting	1	701992
135	Hydraulic Motor Adapter	1	041829
135A	Capscrew – Adapter / Motor	2	920510



* Hydraulic Motor Adapter Kits shipped prior to Spring 2002 were of a two piece design – refer to page 206-D00