

DIMENSIONS 102/103

Effective July 1999
Replaces February 1988

TYPE

SIZE

UNIT
STYLE

HXL

6G

PO

HXL

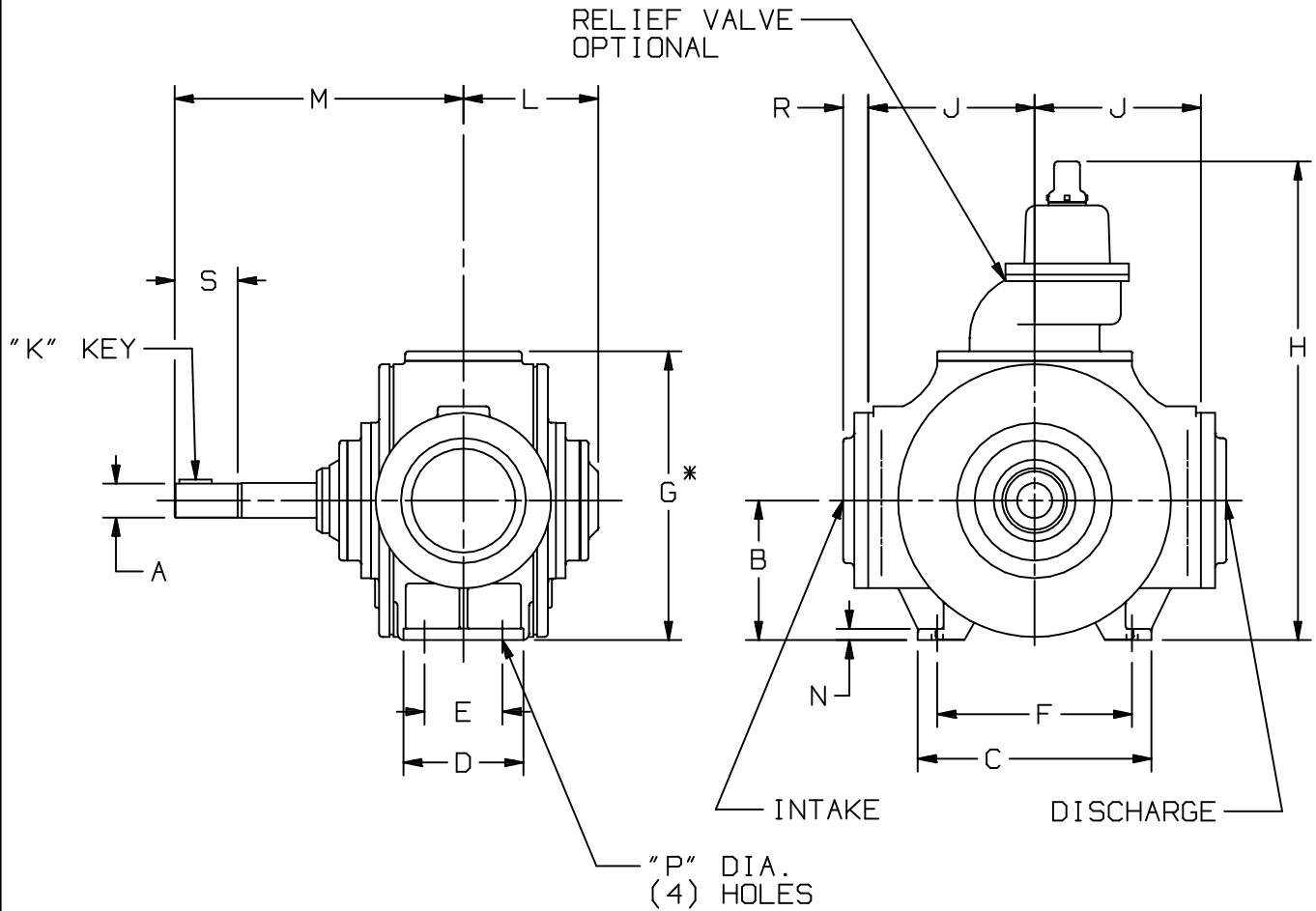
8G

blackmer

1809 Century Avenue
Grand Rapids, Michigan 49509

A **DOVER** RESOURCES COMPANY

RIGHT HAND ROTATION, FOR LEFT HAND ROTATION, SHAFT PROJECTION IS OPPOSITE THAT SHOWN.



* PUMP HEIGHT LESS RELIEF VALVE

			UNITS	DIMENSIONS								
FRAME SIZE		PUMP SIZE		A	B	C	D	E	F	G	H	J
		HXL6	IN	2 1/8	9 1/2	12 1/2	8 1/2	5 1/2	10 1/2	20 1/4	34 1/2	10 3/4
			MM	54	241,3	317,5	215,9	139,7	266,7	514,4	876,3	273,1
		HXL8	IN	2 5/8	10 3/4	18	9 1/4	6	15	22 3/4	36 7/8	12 13/16
			MM	66,7	273,1	457,2	235	152,4	381	577,9	936,6	325,4
				K	L	M	N	P	R	S	T	WGT.
		HXL6	IN	1/2	9 11/16	21	3/4	7/8	1 11/16	10 3/8	—	707 lbs
			MM	12,7	246,1	533,4	19,1	22,2	42,9	263,5	—	320,6 kg
		HXL8	IN	5/8	10 3/8	22 1/4	7/8	7/8	1 15/16	5	—	1010 lbs
			MM	15,9	263,5	565,2	22,2	22,2	49,2	127	—	458 kg