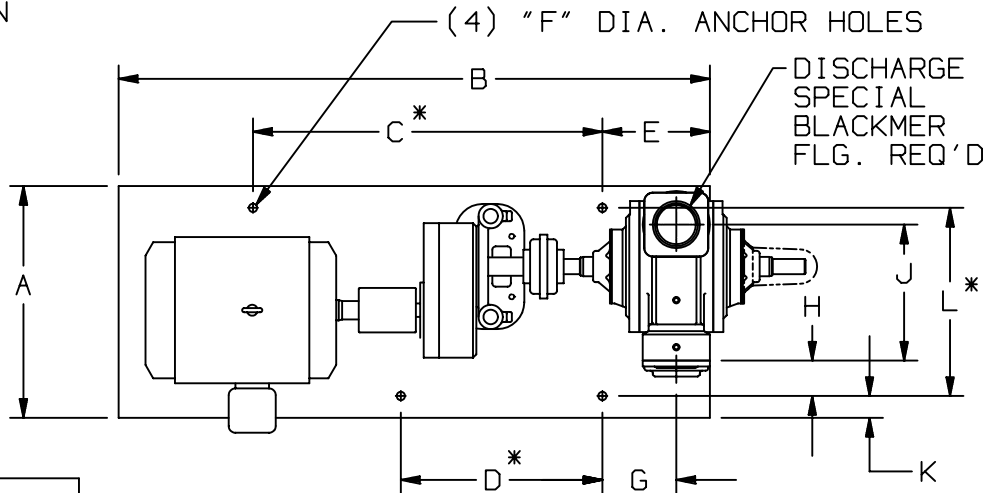
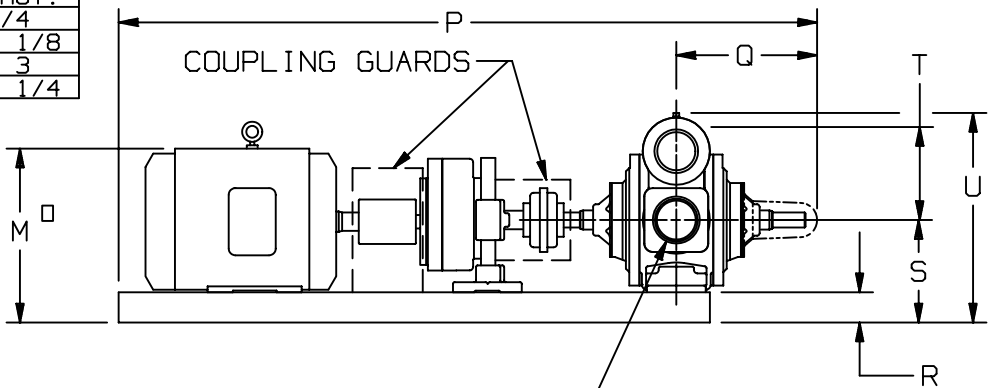


RIGHT HAND ROTATION



PUMP	FLANGES		
	INTAKE	DISCH.	HGT.
CRL2	2 NPT	2 NPT	3/4
CRL3	3 NPT	3 NPT	1 1/8
CRL4	4 WELD		3
		3 WELD	1 1/4



UNIT DIMENSION LESS FLANGES

* TOLERANCE $\pm \frac{1}{8}$

TOLERANCE ON OTHER DIMENSIONS $\pm \frac{1}{4}$

□ DIMENSION LESS EYEBOLT

PUMP SIZE	GPM @ 30 PSI	PUMP SPEED	HP	GEAR BOX	DIMENSIONS									
					A	B	C	D	E	F	G	H	J	
CRL2	28	350	2	HROF	14 3/4	33	12	12	6	7/16	3 1/4	1/4	7 1/4	
CRL2	52	520	3	HROF	14 3/4	33	12	12	6	7/16	3 1/4	1/4	7 1/4	
CRL3	74	350	5	HRA	17 1/4	44	26	15	8	5/8	5 1/2	2 5/8	10 1/8	
CRL3	108	520	7 1/2	HRA	17 1/4	44	26	15	8	5/8	5 1/2	2 5/8	10 1/8	
CRL4	146	350	10	HRA	17 1/4	44	26	15	9	5/8	3 1/8	1 5/8	9 3/16	
CRL4	180	420	15	HRA	20 3/8	50 1/2	33	22	8	5/8	2 1/8	3 7/8	9 3/16	
CRL4	230	520	15	HRA	20 3/8	50 1/2	33	22	8	5/8	2 1/8	3 7/8	9 3/16	
					K	L	M	P	Q	R	S	T	U	
CRL2			2	HROF	2 3/8	10	12 1/4	40 7/8	8 7/8	1 3/4	5 1/2	5 1/8	12 1/8	
CRL2			3	HROF	2 3/8	10	13 3/8	42 1/8	8 7/8	1 3/4	5 1/2	5 1/8	12 1/8	
CRL3			5	HRA	1 5/8	14	11 7/8	52 7/8	10 5/8	2 1/4	7 5/8	6 3/8	16	
CRL3			7 1/2	HRA	1 5/8	14	13 3/8	52 7/8	10 5/8	2 1/4	7 5/8	6 3/8	16	
CRL4			10	HRA	1 5/8	14	13 3/8	54	11 1/8	2 1/4	7 1/8	8 5/8	18 1/8	
CRL4			15	HRA	2	16 3/8	16 7/8	57 7/8	11 1/8	3	7 7/8	8 5/8	18 7/8	
CRL4			15	HRA	2	16 3/8	16 7/8	57 7/8	11 1/8	3	7 7/8	8 5/8	18 7/8	

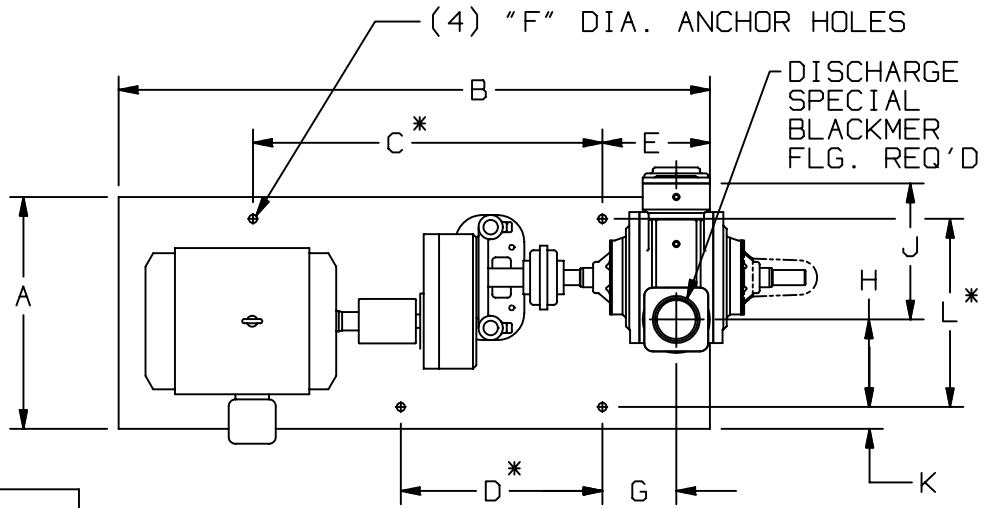
DIMENSIONS 701-121

Section 701
 Effective August 2002
 Replaces June 2000
 Page 2/2

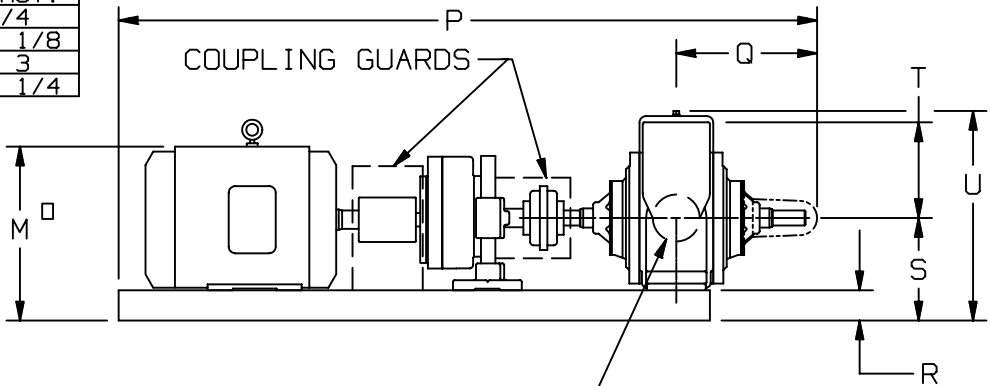
CRL 2, 3, & 4 UNITS
HR DRIVE STYLE



LEFT HAND ROTATION



PUMP	FLANGES		
	INTAKE	DISCH.	HGT.
CRL2	2 NPT	2 NPT	3/4
CRL3	3 NPT	3 NPT	1 1/8
CRL4	4 WELD		3
		3 WELD	1 1/4



UNIT DIMENSION LESS FLANGES

* TOLERANCE $\pm \frac{1}{8}$

TOLERANCE ON OTHER DIMENSIONS $\pm \frac{1}{4}$

□ DIMENSION LESS EYEBOLT

PUMP SIZE	GPM @ 30 PSI	PUMP SPEED	HP	GEAR BOX	DIMENSIONS									
					A	B	C	D	E	F	G	H	J	
CRL2	28	350	2	HROF	14 3/4	33	12	12	6	7/16	3 1/4	2 5/8	7 1/4	
CRL2	52	520	3	HROF	14 3/4	33	12	12	6	7/16	3 1/4	2 5/8	7 1/4	
CRL3	74	350	5	HRA	17 1/4	44	26	15	8	5/8	5 1/2	6 1/2	10 1/8	
CRL3	108	520	7 1/2	HRA	17 1/4	44	26	15	8	5/8	5 1/2	6 1/2	10 1/8	
CRL4	146	350	10	HRA	17 1/4	44	26	15	9	5/8	3 1/8	5 1/2	9 3/16	
CRL4	180	420	15	HRA	20 3/8	50 1/2	33	22	8	5/8	2 1/8	7 3/4	9 3/16	
CRL4	230	520	15	HRA	20 3/8	50 1/2	33	22	8	5/8	2 1/8	7 3/4	9 3/16	
					K	L	M	P	Q	R	S	T	U	
CRL2			2	HROF	2 3/8	10	12 1/4	40 7/8	8 7/8	1 3/4	5 1/2	5 1/8	12 1/8	
CRL2			3	HROF	2 3/8	10	13 3/8	42 1/8	8 7/8	1 3/4	5 1/2	5 1/8	12 1/8	
CRL3			5	HRA	1 5/8	14	11 7/8	52 7/8	10 5/8	2 1/4	7 5/8	6 3/8	16	
CRL3			7 1/2	HRA	1 5/8	14	13 3/8	52 7/8	10 5/8	2 1/4	7 5/8	6 3/8	16	
CRL4			10	HRA	1 5/8	14	13 3/8	54	11 1/8	2 1/4	7 1/8	8 5/8	18 1/8	
CRL4			15	HRA	2	16 3/8	16 7/8	57 7/8	11 1/8	3	7 7/8	8 5/8	18 7/8	
CRL4			15	HRA	2	16 3/8	16 7/8	57 7/8	11 1/8	3	7 7/8	8 5/8	18 7/8	