

TYPE

SIZE

UNIT
STYLE

CRL

4A

VB

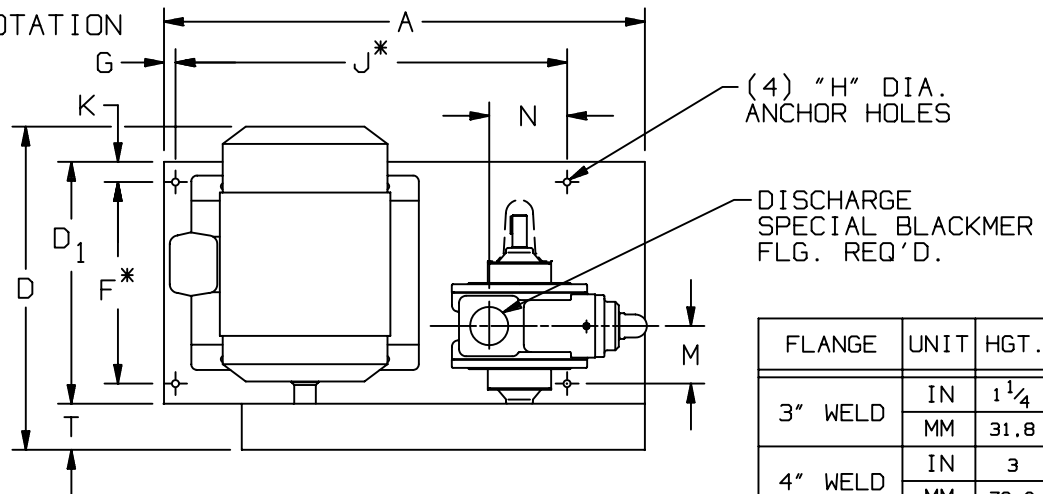
DIMENSIONS 701-119

Section 701

Effective JAN 2002

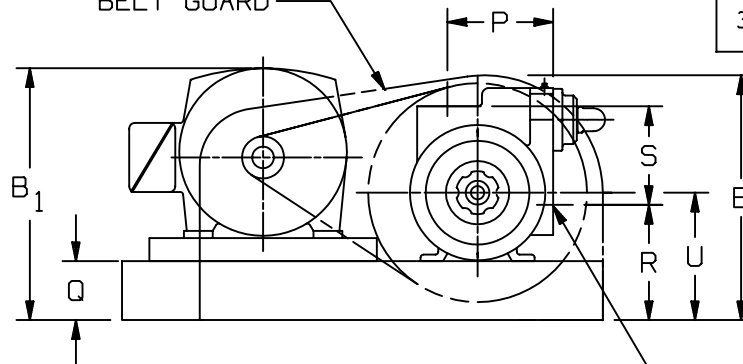
Replaces 701/135 SEPT 1989

RIGHT HAND ROTATION



FLANGE	UNIT	HGT.
3" WELD	IN	1 1/4
	MM	31.8
4" WELD	IN	3
	MM	76.2
3" NPT	IN	1 1/2
	MM	38.1

BELT GUARD



UNIT DIMENSIONS LESS FLANGES

* TOLERANCE ±1/8

TOLERANCE ON OTHER DIMENSIONS ±1/4

SPEED		H.P.		UNIT NO.	DIMENSIONS																				
1800	1200	FRAME SIZE	1800		1200	UNIT	A	B	B ₁	D	D ₁	F	G	H	J	K	M	N	P	Q	R	S	T	U	
330	220	213T	7.5	3	872020	IN	41 3/4	21 3/4	—	25 5/8	21	17 1/2	1	5/8	34	1 3/4	5	6 3/4	9 3/16	5 1/8	10	8 9/16	4 1/8	11 1/16	
						MM	1060,5	552,5	—	650,9	533,4	444,5	25,4	15,9	863,6	44,5	127	171,5	233,4	130	254	217,5	104,8	281	
330	220	215T	10	5	872021	IN			—	25 5/8															
						MM			—	650,9															
420	280	215T	10	5	872013	IN			—	25 5/8															
						MM			—	650,9															
420	280	254T	15	7.5	872015	IN			—	25 3/4															
						MM			—	654,1															
520	340	254T	15	7.5	872018	IN			—	25 3/4															
						MM			—	654,1															
520	340	256T	20	10	872016	IN			—	27 1/2															
						MM			—	698,5															
640	420	254T	15	7.5	872014	IN			—	25 3/4															
						MM			—	654,1															
640	420	284T	25	15	872017	IN			22 1/4	28 3/4															
						MM			565,2	730,3															

SAME AS ABOVE