

SERIES BV**BLEED VALVE**

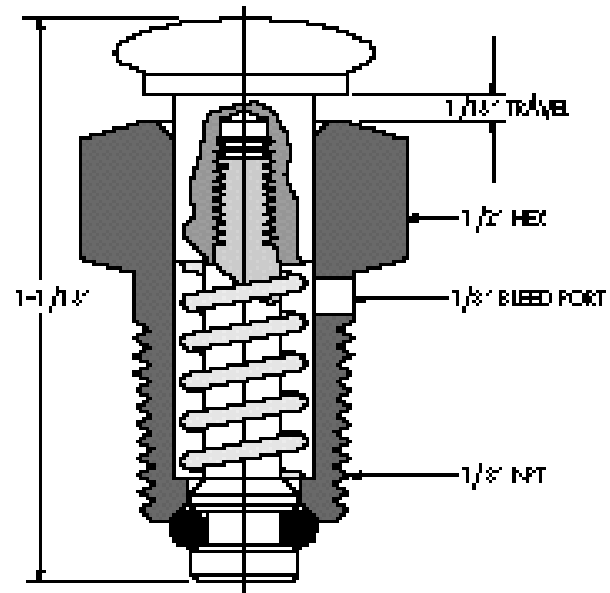
0 - 400 PSI 1/8" NPT

DESCRIPTION

This miniature, compact bleed valve has broad applications in any pneumatic system where a single, cost effective method of relieving system pressure is required. Manual or mechanically actuated operation lifts o'ring seal from seat allowing flow to exhaust to atmosphere thru bleed orifice. Two piece stem design and metal to metal backup provides added safety at higher pressures. Standard elastomer o'ring ensures zero leakage and is easily replaceable.

**TECHNICAL DATA**

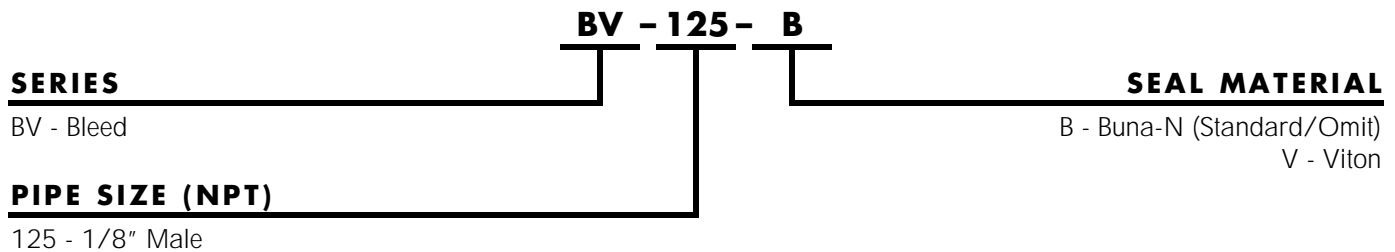
Operating Pressure Range	0 - 400 PSI
Bleed Orifice	.125 Diameter
Leakage	Zero to 400 PSI



CONSIDERATIONS

- Brass Bar Stock Construction
- Stainless Steel Springs
- Standard seal material is Buna-N

ORDERING INFORMATION



DISTRIBUTED BY

GENERANT

1865 Route 23 South PO Box 768 Butler, New Jersey 07405 Phone 973.838.6500 Fax 973.838.4888

www.generant.com