

BULK RATE
U.S. POSTAGE PAID
DALLAS, TEXAS
PERMIT NO. 2213

Gas Equipment Company, Inc.
11510 N. Petro Park
Houston, TX 77041
Return Postage Guaranteed



GENERANT

New CV UPDATE One-Piece Check Valve

Description

Compact one-piece body check valve is specifically designed to prevent the back flow of any gas from returning to the cylinder.

Features

- One-piece installation includes Oxygen CGA 540 connection
- No disassembly, reassembly or final test required during installation
- Can be installed without emptying product from cylinder
- Compact rugged one-piece body construction
- Supplied with "Tamper Evident Restraint" lock wire and lockout tag
- Distinct body shape provides visual evidence of compliance
- High flow design exceeds maximum cylinder output
- Supplied cleaned and bagged for Oxygen Service
- 100% factory tested for leakage



Technical Data

Nominal Crack Pressure: 1 Psig (0.07 bar)
 Leakage, External: Zero
 Internal: Zero @ 0.5 Psig (0.03 bar) backpressure
 Cv (flow coefficient): 0.65
 Maximum Pressure: 3,000 Psig @ 150 °F (206 bar @ 66 ° C)
 Proof Pressure: 10,000 Psig (690 bar)

Materials of Construction

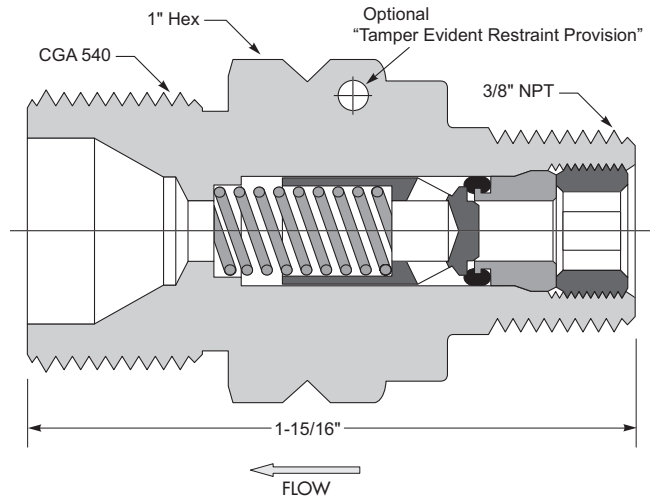
| Component | Material |
|---|---------------------------|
| Body, Poppet, Seat Insert Seat Locking Screw | Brass, ASTM B16 |
| Spring | Phosper Bronze, ASTM B159 |
| O'Ring Seal ¹ | GLT Viton™ |

¹Lubricated with Krytox™ GPL-202



GENERANT

New CV UPDATE



ORDERING INFORMATION

OPC - 3540 - V - 1 - T

SERIES

OPC - One-piece Check Valve

PORT CONFIGURATION

3540 - 3/8" NPT x CGA 540

SEAL MATERIAL

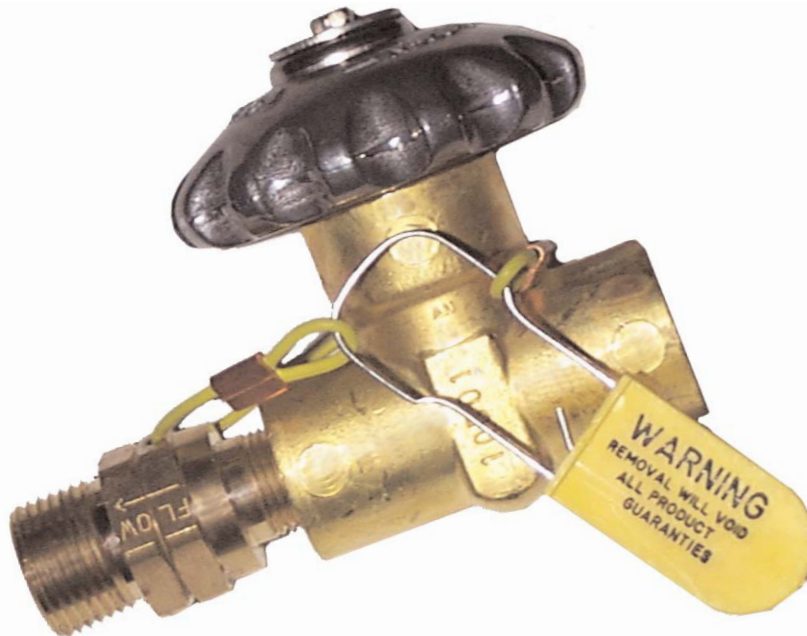
V - GLT Viton™ -40° F to 150° F (-40° C to 66° C)

RESTRAINT

T - Tamper Evident Restraint, supplied with lock wire and lock out tag

NOMINAL CRACK PRESSURE

1 Psig (0.07 bar)



HOUSTON (713) 896-1077 (800) 334-7816 FAX (713) 896-9299
www.gasequipment.com