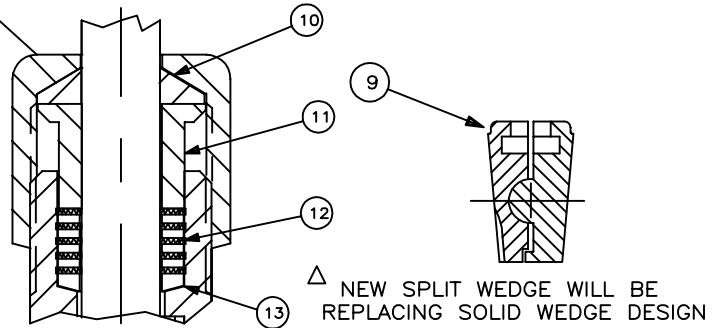
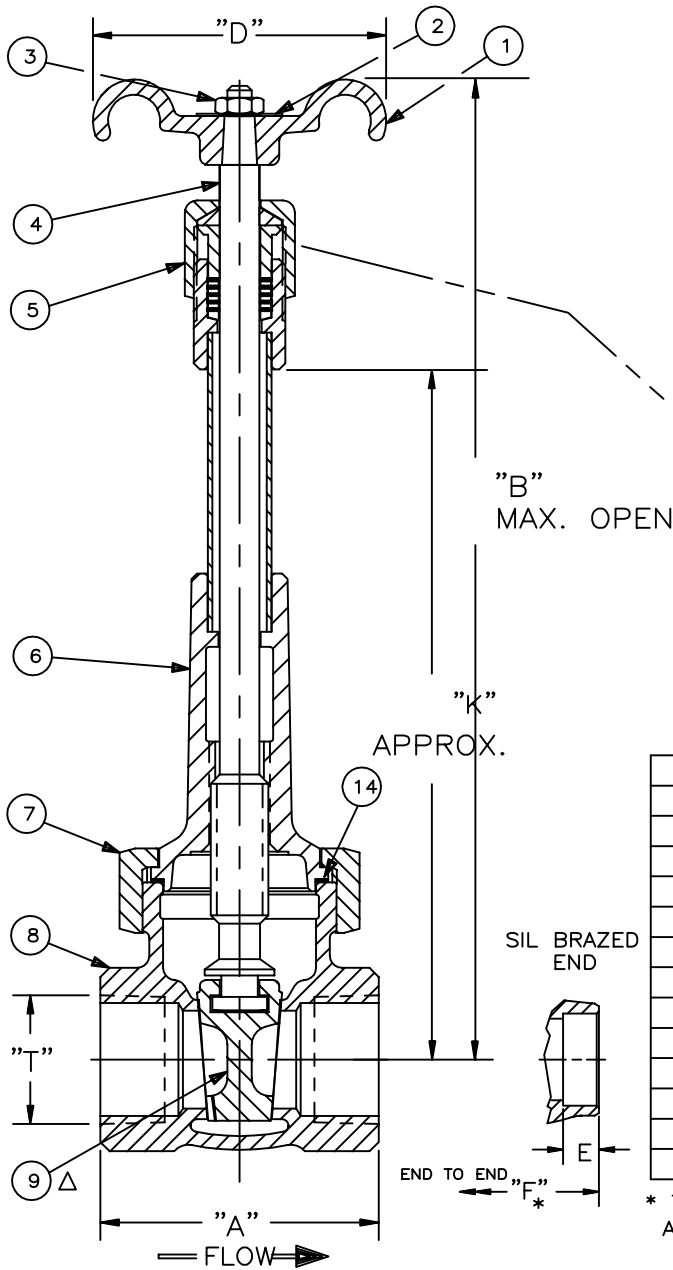


# SERIES 322 BRONZE CRYOGENIC GATE VALVE

M-000526  
RELEASED 4/27/99

PRESSURE RATING 300 PSIG NON-SHOCK COLD  
TEMPERATURE RATING +100 F TO -325 F

ALSO AVAILABLE AS A GLOBE VALVE  
UNLESS OTHERWISE SPECIFIED VALVES  
NOT CLEANED FOR OXYGEN SERVICE



1	HANDWHEEL	MAL. IRON/ZN. CHROMATE FIN.
2	I.D. TAG	ALUMINUM
3	HANDWHEEL NUT	STEEL, CAD PLATED
4	STEM	300 SERIES ST. ST'L.
5	BONNET NUT	BRASS
6	BONNET ASS'Y.	BRONZE/BRASS/ST. ST'L.
7	BONNET RING	BRONZE
8	BODY	BRONZE
9	WEDGE $\Delta$	BRONZE
10	BONNET BEARING	PTFE 25% GLASS FILLED
11	GLAND FOLLOWER	BRASS
12	PACKING UNIT	BRASS/PTFE
13	PACKING ADAPTER	BRASS
14	BONNET GASKET	PTFE 25% GLASS FILLED

\* THESE DIMENSIONS BEING PHASED IN. ALL INFORMATION IS ANY QUESTIONS CONSULT FACTORY. SUBJECT TO LATEST REVISION

ALL DIMENSIONS ARE IN INCHES

SIZE	"A"	"B"	"D"	"T" NPT	"E"	"F" *	"K"
1/2	2-11/32	9-3/8	2-1/4	1/2	3/8	2-1/2	5-1/2
3/4	2-1/2	10-9/16	2-3/4	3/4	13/32	3	6-1/8
1"	2-27/32	12-3/8	3"	1"	7/16	3-1/4	7-11/16
1-1/2	3-7/16	17"	4"	1-1/2	5/8	4	10-7/8
2"	3-13/16	19-5/8	4-3/4	2"	21/32	4-1/2	12-3/8
2-1/2	4-11/16	22-1/2	5-1/4	2-1/2	25/32	5-1/4	14-1/2
3"	5-1/8	24-7/8	6"	3"	53/64	6	16-5/16

GODDARD VALVE CORPORATION 705 PLANTATION STREET WORCESTER, MA. 01605  
 TEL: (508) 852-2435 E-MAIL: valve@goddardvalve.com FAX: (508) 852-2443