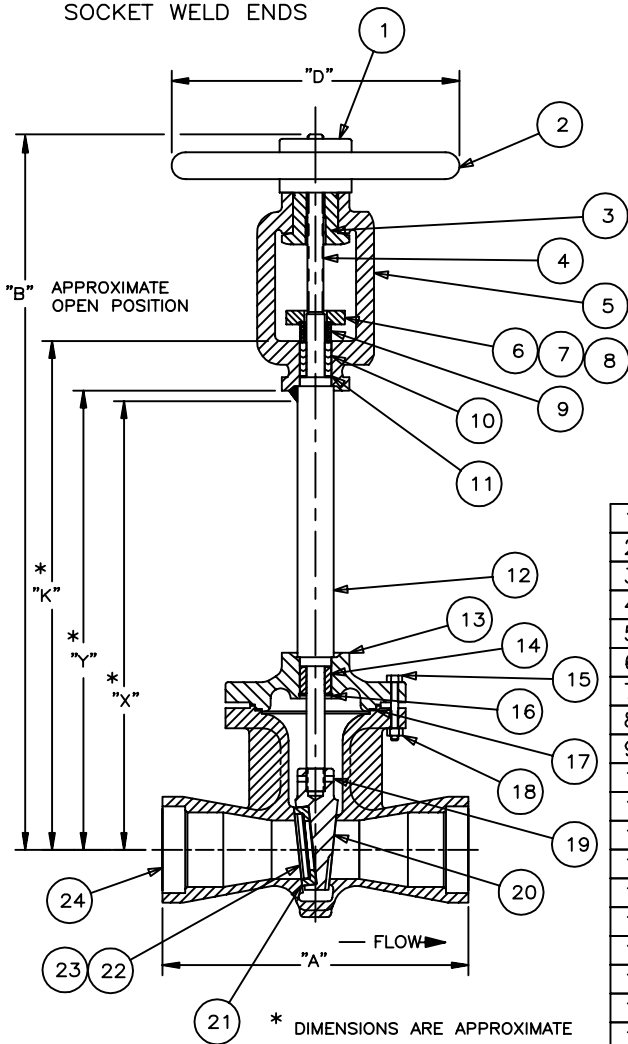


SOCKET WELD ENDS

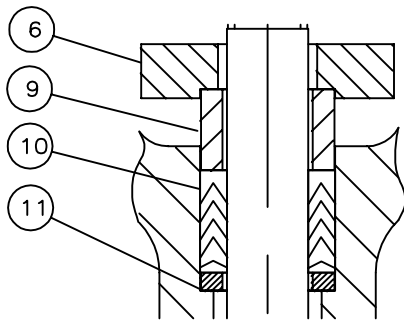
# SERIES 110 STAINLESS STEEL GATE VALVE

M-000532  
RELEASED 9/21/88

SERVICE : 300#-720 PSI NON-SHOCK COLD
SERVICE : 150#-275 PSI NON-SHOCK COLD
TEMPERATURE RATING +100° F TO -325° F

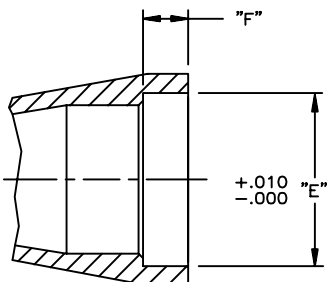


1	SET SCREW	300 SERIES STAINLESS STEEL
2	HANDWHEEL	MALLEABLE IRON
3	HANDWHEEL BUSHING	NAVAL BRASS
4	STEM	304 SERIES STAINLESS STEEL
5	YOKE	ST. STL. ASTM A-351 GRADE CF8
6	GLAND FLANGE	ST. STL. ASTM A-351 GRADE CF8
7	GLAND FLANGE BOLT	ST. STL. ASTM A-320-B8 CL. 1
8	GLAND FLANGE NUT	ST. STL. ASTM A-194-8
9	PACKING ADAPTER	NAVAL BRASS
10	STEM PACKING SET	PTFE
11	CHEVRON ADAPTER	300 SERIES STAINLESS STEEL
12	EXTENSION TUBE	304 SERIES STAINLESS STEEL
13	BONNET	ST. STL. ASTM A-351 GRADE CF8
14	STEM BEARING	BRONZE
15	BONNET BOLTS	ST. STL. ASTM A-320-B8 CL. 1
16	RETAINING RING	BERYLLIUM COPPER
17	GASKET	25% GLASS FILLED PTFE
18	BONNET NUTS (150# ONLY)	ST. STL. ASTM A-194-8
19	WEDGE PIN	300 SERIES STAINLESS STEEL
20	WEDGE	ST. STL. ASTM A-351 GRADE CF8
21	SEAT	PCTFE
22	SEAT CLAMP	ST. STL. ASTM A-351 GRADE CF8
23	SEAT CLAMP SCREWS	300 SERIES STAINLESS STEEL
24	BODY	ST. STL. ASTM A-351 GRADE CF8



ALL DIMENSIONS ARE IN INCHES

SIZE	"A"-150#	"A"-300#	"B"	"D"
1/2	3-3/4	3-3/4	17-3/4	4-1/2
3/4	3-3/4	3-3/4	17-3/4	4-1/2
1	3-1/2	4	17-3/4	4-1/2
1-1/2	4-5/8	5	21-7/8	7
2	8-1/2	N/A	21-7/8	7



SIZE	"E"	"F"	"K"	"X"	"Y"
1/2	.855	3/8	12-3/4	11-1/16	11-3/8
3/4	1.065	1/2	12-3/4	11-1/16	11-3/8
1	1.330	1/2	12-3/4	11-1/16	11-3/8
1-1/2	1.915	1/2	14	12-5/16	12-5/8
2	2.406	5/8	14	12-5/16	12-5/8

VENTED BONNET & BODY  
SPECIAL B,K,X & Y DIMENSIONS ARE AVAILABLE  
ALL INFORMATION IS SUBJECT TO LATEST REVISION  
UNLESS OTHERWISE SPECIFIED, VALVES NOT CLEANED FOR OXYGEN SERVICE