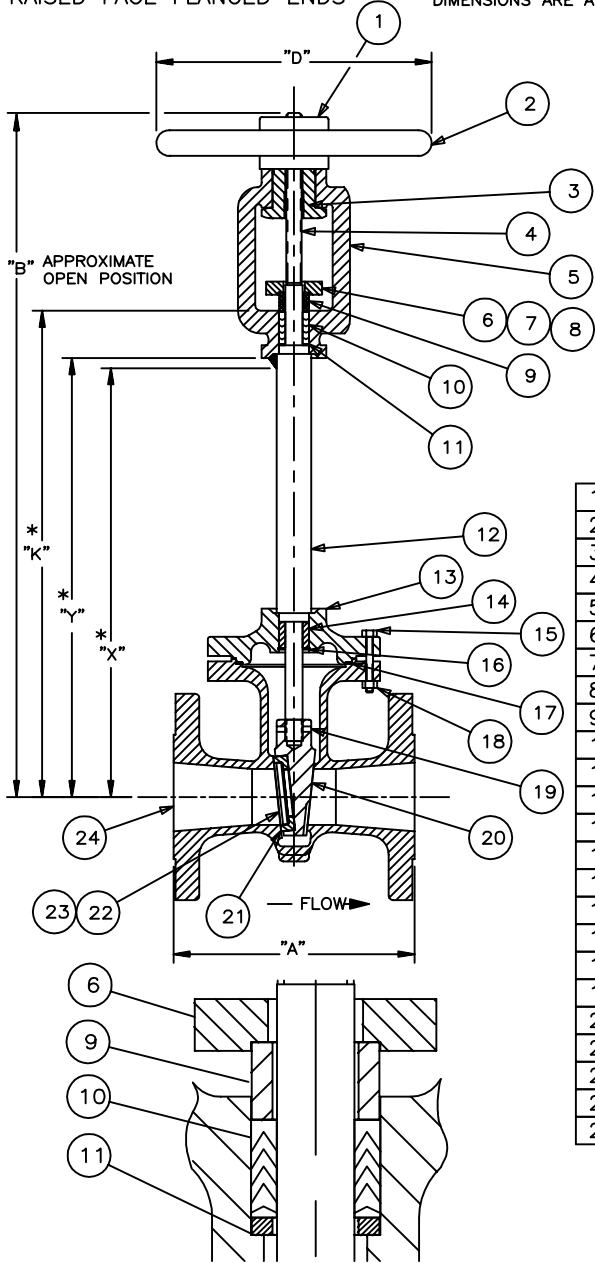


RAISED FACE FLANGED ENDS * DIMENSIONS ARE APPROXIMATE

SERIES 110
 STAINLESS STEEL GATE VALVE

M-000533 (WAS M-000531)
 RELEASED 11/7/97

SERVICE : 300#-720 PSI NON-SHOCK COLD
 SERVICE : 150#-275 PSI NON-SHOCK COLD
 TEMPERATURE RATING +100° F TO -325° F



1	SET SCREW	300 SERIES STAINLESS STEEL
2	HANDWHEEL	MALLEABLE IRON
3	HANDWHEEL BUSHING	NAVAL BRASS
4	STEM	304 SERIES STAINLESS STEEL
5	YOKE	ST. STL. ASTM A-351 GRADE CF8
6	GLAND FLANGE	ST. STL. ASTM A-351 GRADE CF8
7	GLAND FLANGE BOLT	ST. STL. ASTM A-320-B8 CL. 1
8	GLAND FLANGE NUT	ST. STL. ASTM A-194-8
9	PACKING ADAPTER	NAVAL BRASS
10	STEM PACKING SET	PTFE
11	CHEVRON ADAPTER	300 SERIES STAINLESS STEEL
12	EXTENSION TUBE	304 SERIES STAINLESS STEEL
13	BONNET	ST. STL. ASTM A-351 GRADE CF8
14	STEM BEARING	BRONZE
15	BONNET BOLTS	ST. STL. ASTM A-320-B8 CL. 1
16	RETAINING RING	BERYLLIUM COPPER
17	GASKET	25% GLASS FILLED PTFE
18	BONNET NUTS (150# ONLY)	ST. STL. ASTM A-194-8
19	WEDGE PIN	300 SERIES STAINLESS STEEL
20	WEDGE	ST. STL. ASTM A-351 GRADE CF8
21	SEAT	PTFE
22	SEAT CLAMP	ST. STL. ASTM A-351 GRADE CF8
23	SEAT CLAMP SCREWS	300 SERIES STAINLESS STEEL
24	BODY	ST. STL. ASTM A-351 GRADE CF8

ALL DIMENSIONS ARE IN INCHES

SIZE	"A"-150#	"A"-300#	"B"	"D"	"K"	"X"	"Y"
1	4-1/8	N/A	17-3/4	4-1/2	12-3/4	11-1/16	11-3/8
1-1/2	4-5/8	6-1/8 *	21-7/8	7	14	12-5/16	12-5/8
2	7	7-1/4 *	21-7/8	7	14	12-5/16	12-5/8
3	8	8-3/4 *	31-1/2	12	20	17-3/4	18-1/16
4	9	12	33-3/4	12	21-1/2	19-1/4	19-9/16
6	10-1/2	15-7/8	41-1/2	16	26	23-9/16	23-7/8

* FACE TO FACE DIMENSIONS (A) ARE GODDARD STANDARD. NOT TO ANSI STANDARD
 VENTED BONNET & BODY

SPECIAL B,K,X & Y DIMENSIONS ARE AVAILABLE
 ALL INFORMATION IS SUBJECT TO LATEST REVISION

UNLESS OTHERWISE SPECIFIED, SCH. 10 WELD ENDS ARE SUPPLIED
 UNLESS OTHERWISE SPECIFIED, VALVES NOT CLEANED FOR OXYGEN SERVICE

GODDARD VALVE CORPORATION 705 PLANTATION STREET WORCESTER, MA. 01605
 TEL: (508) 852-2435 E-MAIL: valve@goddardvalve.com FAX: (508) 852-2443