

SERIES 270^Δ BRASS CRYOGENIC GLOBE VALVE

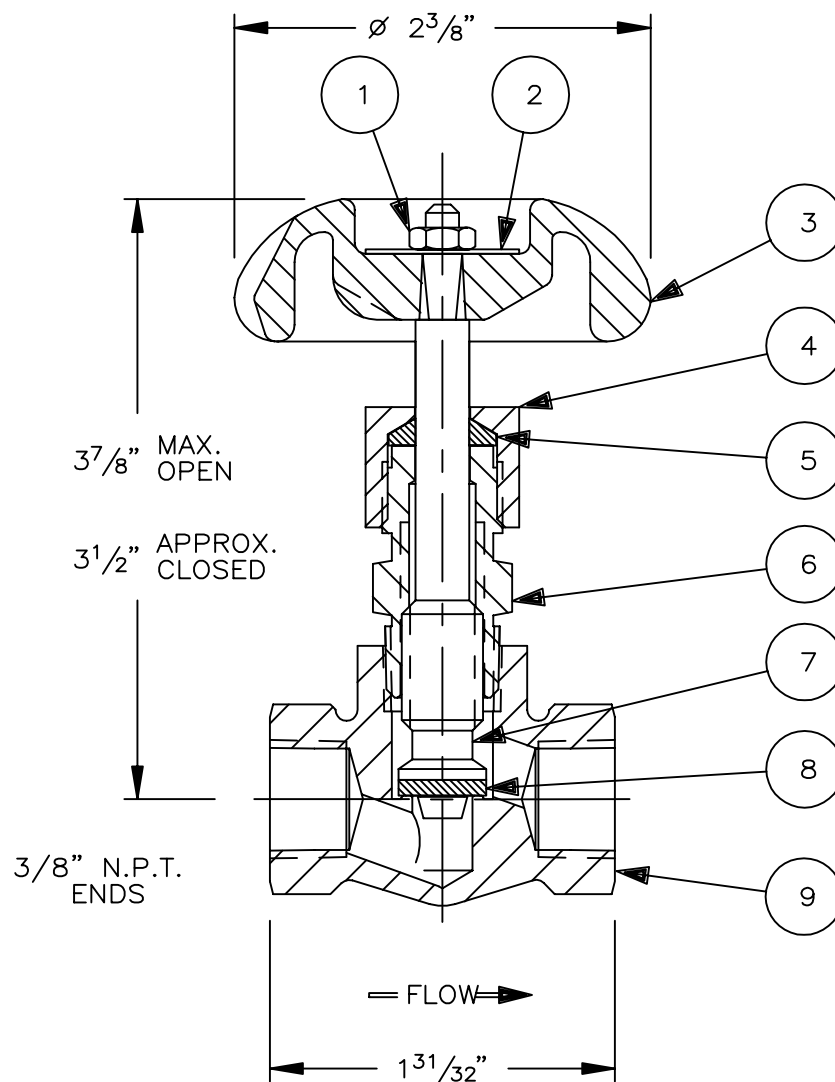
M-000567
RELEASED 1/30/90

1	JAM NUT	CAD. PLATED STEEL
2	I.D. DISC	ALUMINUM
3	HANDWHEEL	DIE CAST ALUMINUM
4	BONNET NUT	BRASS
5	BONNET BEARING	25% GLASS FILLED PTFE
6	BONNET	BRASS
7	STEM	SILICON BRASS
8	SEAT	PCTFE
9	VALVE BODY	BRASS

PRESSURE RATING 400 PSIG NON-SHOCK COLD
TEMPERATURE RATING +100° F TO -325° F

Δ FOR SELECTIVE COLD GAS APPLICATIONS

NOTE : UNLESS OTHERWISE SPECIFIED
VALVES NOT CLEANED FOR OXYGEN SERVICE.



ALL INFORMATION IS SUBJECT TO LATEST REVISION

GODDARD VALVE CORPORATION 705 PLANTATION STREET WORCESTER, MA. 01605
 TEL: (508) 852-2435 E-MAIL: valve@goddardvalve.com FAX: (508) 852-2443