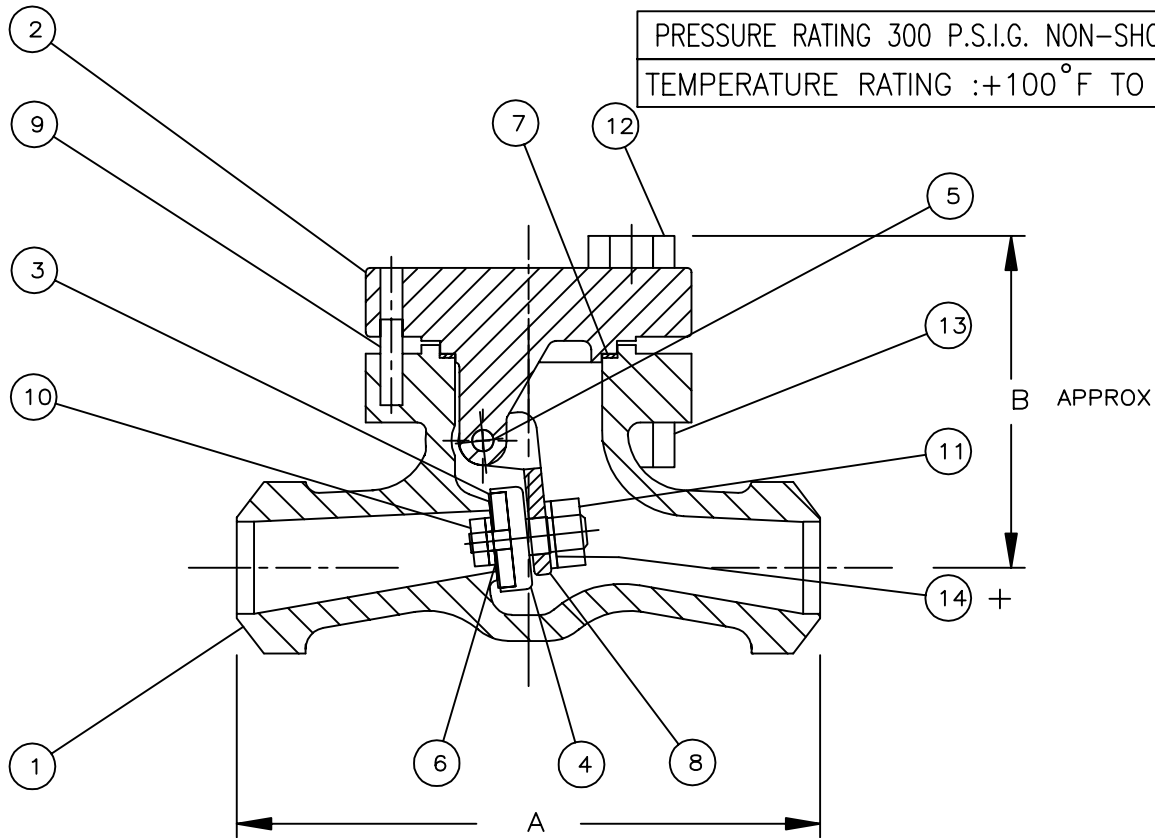


# SERIES 886 ST-ST'L CRYOGENIC SWING CHECK VALVE

M-000584  
RELEASED 2/20/98

PRESSURE RATING 300 P.S.I.G. NON-SHOCK COLD  
TEMPERATURE RATING :+100°F TO -325°F



UNLESS OTHERWISE SPECIFIED, VALVES NOT CLEANED FOR OXYGEN SERVICE

ALL DIMENSIONS ARE IN INCHES

SIZE	"A"	"B"
1/2	4-1/4"	2-1/2"
1	5"	3-3/16"
1 1/2	6-1/2"	4-1/8"
2	8"	4-1/2"

1	BODY	ST STL ASTM A-351 GRADE CF3M
2	CAP	ST STL ASTM A-351 GRADE CF3M
3	DISC	PCTFE
4	DISC HOLDER	316L SERIES STAINLESS STEEL
5	PIVOT PIN	NITRONIC #60
6	DISC WASHER	316L SERIES STAINLESS STEEL
7	GASKET	25% GLASS FILLED PTFE
8	ARM	ST STL ASTM A-351 GRADE CF3M
9	DOWEL PIN	300 SERIES STAINLESS STEEL
10	DISC NUT	316 SERIES STAINLESS STEEL
11	NUT	316 SERIES STAINLESS STEEL
12	CAP BOLTS	ST ST'L ASTM A-320 GR B8 CL1
13	CAP NUTS	ST ST'L ASTM A-194-8
+ 14	WASHER	316L SERIES STAINLESS STEEL

ELECTRO-POLISHING OR CHEM-POLISHING AVAILABLE  
UNLESS OTHERWISE SPECIFIED SCHEDULE 10 ENDS ARE SUPPLIED  
ALL INFORMATION IS SUBJECT TO LATEST REVISION

+ WHEN APPLICABLE

GODDARD VALVE CORPORATION  
TEL: (508) 852-2435      TELEX: 92-0139

705 PLANTATION STREET WORCESTER, MA. 01605  
FAX: (508) 852-2443