

# SERIES 886M ST-ST'L CRYOGENIC SWING CHECK VALVE

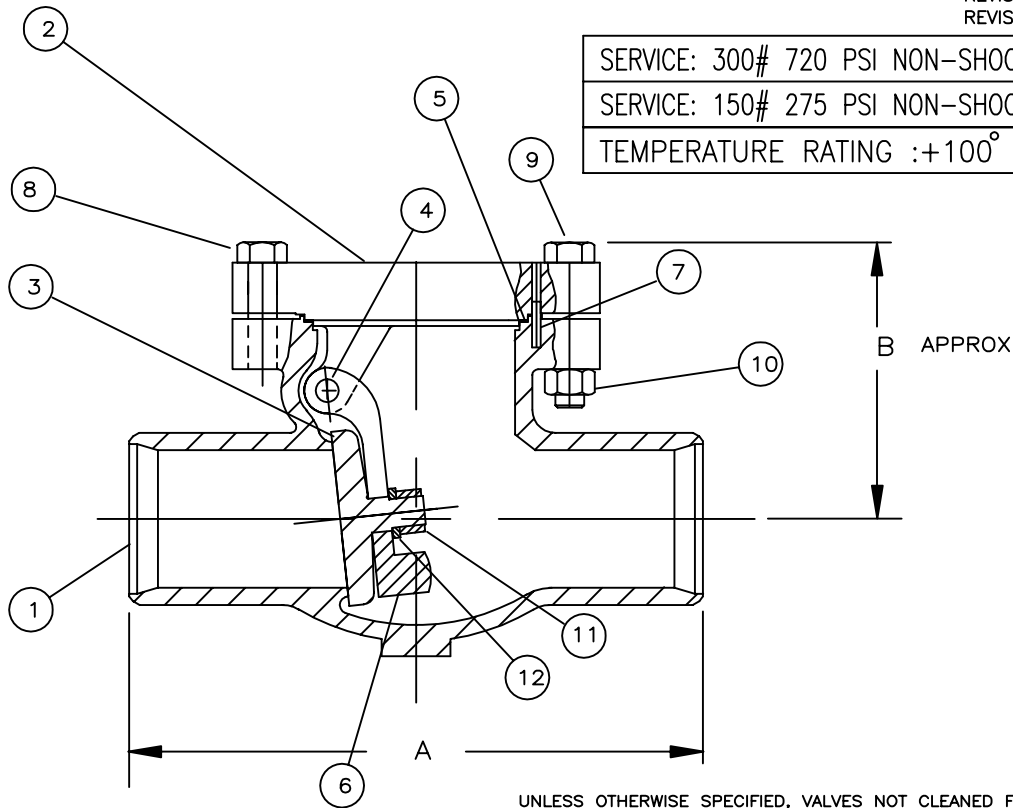
## METAL SEAT

M-000614  
RELEASED 2/2/94  
REVISED 2/21/97  
REVISED 2/27/02

SERVICE: 300# 720 PSI NON-SHOCK COLD

SERVICE: 150# 275 PSI NON-SHOCK COLD

TEMPERATURE RATING : +100° F TO -325° F



UNLESS OTHERWISE SPECIFIED, VALVES NOT CLEANED FOR OXYGEN SERVICE

1	BODY	ST STL ASTM A-351 GRADE CF3M
2	CAP	ST STL ASTM A-351 GRADE CF3M
3	DISC	ST STL ASTM A-351 GRADE CF3M
4	PIVOT PIN	NITRONIC #60
5	GASKET	25% GLASS FILLED PTFE
6	ARM	ST STL ASTM A-351 GRADE CF3M
7	DOWEL PIN	300 SERIES STAINLESS STEEL
8	CAP BOLTS	ST ST'L ASTM A-320 GR B8 CL1
9	CAP BOLTS	ST ST'L ASTM A-320 GR B8 CL1
10	CAP NUTS	ST ST'L ASTM A-194-8
11	DISC NUT	316 SERIES STAINLESS STEEL
12	WASHER	316L SERIES STAINLESS STEEL

ALL DIMENSIONS ARE IN INCHES

SIZE	"A"	"B"	BW END SCH	ANSI CLASS
1-1/2	6-1/2	3-3/4	10	150#/300#
2	8	4-1/8	10	150#/300#
3	9-1/2	5-3/4	10 & 40	150#
3	9-1/2	6	10 & 40	300#
4	11-1/2	8-3/8	10	150#
4	14	8-3/8	40	150#
4	14	8-5/8	40	300#

ELECTRO-POLISHING OR CHEM-POLISHING AVAILABLE  
UNLESS OTHERWISE SPECIFIED SCHEDULE 10 ENDS ARE SUPPLIED  
ALL INFORMATION IS SUBJECT TO LATEST REVISION

**GODDARD VALVE CORPORATION** 705 PLANTATION STREET WORCESTER, MA. 01605  
TEL: (508) 852-2435 E-MAIL: valve@goddardvalve.com FAX: (508) 852-2443