

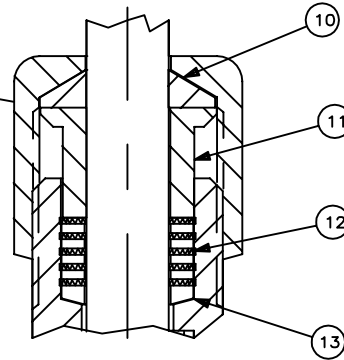
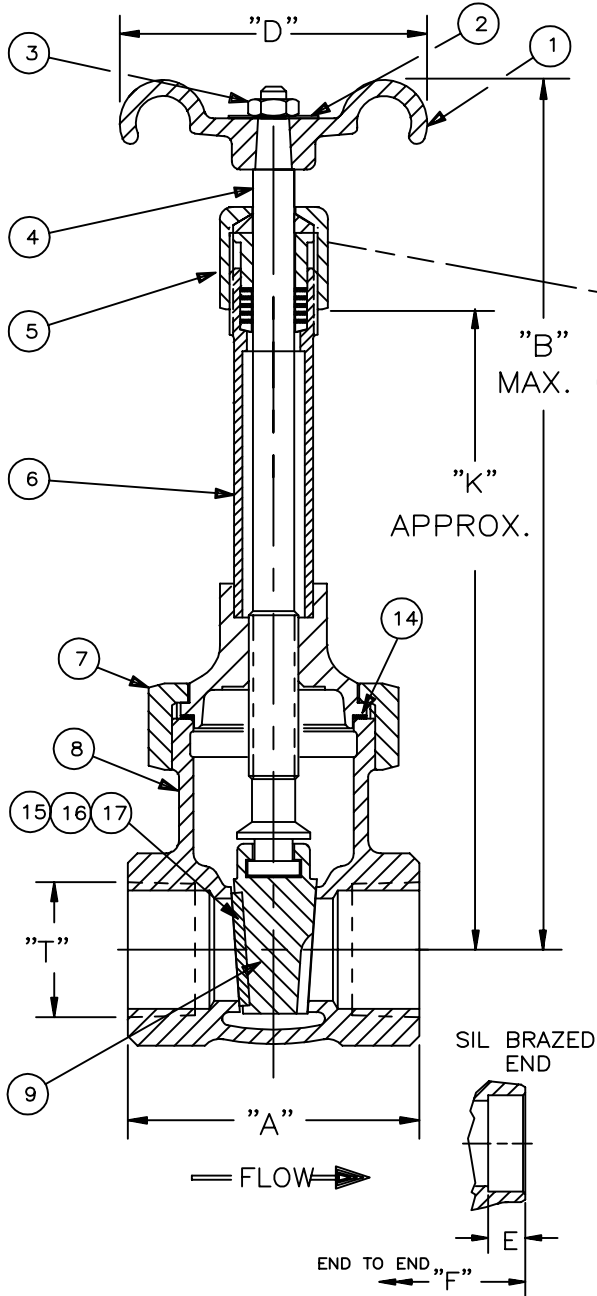
SERIES 310X BRONZE CRYOGENIC GATE VALVE

FOR TRAILER SERVICE

M-000624A
RELEASED 3/2/98

PRESSURE RATING 300 PSIG NON-SHOCK COLD
TEMPERATURE RATING +100 F TO -325 F

UNLESS OTHERWISE SPECIFIED
VALVES NOT CLEANED FOR OXYGEN SERVICE



1	HANDWHEEL	MAL. IRON/ZN. CHROMATE FIN.
2	I.D. TAG	ALUMINUM
3	HANDWHEEL NUT	STEEL, CAD PLATED
4	STEM	300 SERIES ST. ST'L.
5	BONNET NUT	BRASS
6	BONNET ASS'Y.	BRONZE/BRASS/ST. ST'L.
7	BONNET RING	BRONZE
8	BODY	BRONZE
9	WEDGE	BRONZE
10	BONNET BEARING	PTFE 25% GLASS FILLED
11	GLAND FOLLOWER	BRASS
12	PACKING UNIT	BRASS/PTFE
13	PACKING ADAPTER	BRASS
14	BONNET GASKET	PTFE 25% GLASS FILLED
15	SEAT	LOX GRADE KEL-F-81
16	SEAT CLAMP	ASTM A-351 CF8
17	SEAT CLAMP SCREWS	MONEL

ALL INFORMATION IS
SUBJECT TO LATEST REVISION

ALL DIMENSIONS ARE IN INCHES

SIZE	"A"	"B"	"D"	"T" NPT	"E"	"F"	"K"
2-1/2	6	20-3/8	6"	2-1/2	25/32	6	11-1/2
3"	6	20-3/8	6"	3"	53/64	6	11-1/2

GODDARD VALVE CORPORATION 705 PLANTATION STREET WORCESTER, MA. 01605
 TEL: (508) 852-2435 E-MAIL: valve@goddardvalve.com FAX: (508) 852-2443