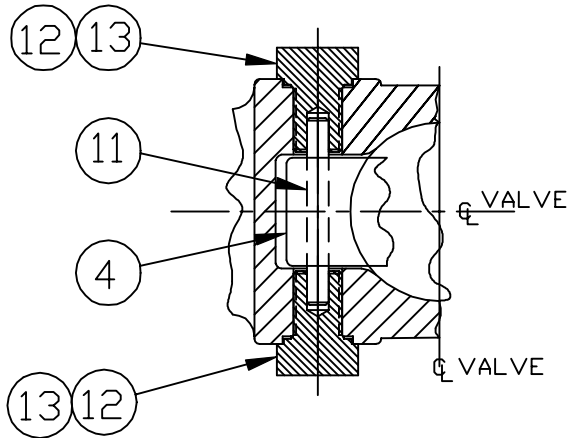


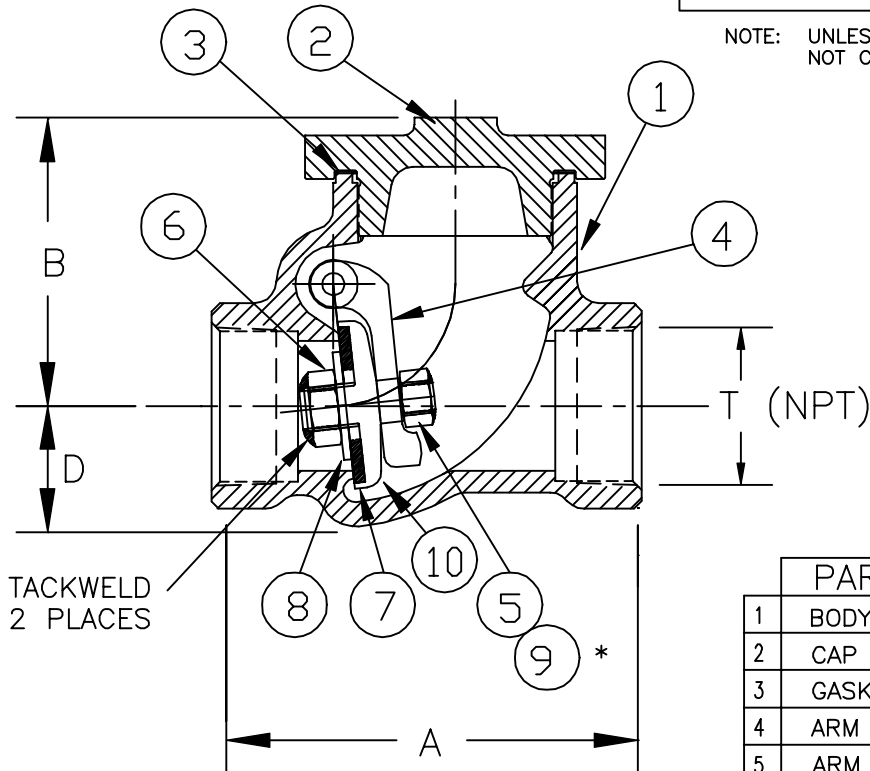
**SERIES 840 (NPT)
BRONZE CRYOGENIC SWING CHECK VALVE**

M000693
RELEASED 8/15/96
REVISED 3/6/02



PRESSURE RATING: MSS SP-80 CLASS 300
MAWP: 400 PSIG NON-SHOCK COLD
TEMPERATURE RATING: +100°F TO -325°F
REF. DESIGN STD: ASTM B31.3 AND MSS SP-80

NOTE: UNLESS OTHERWISE SPECIFIED VALVES
NOT CLEANED FOR OXYGEN SERVICE.



TACKWELD
2 PLACES

ALL DIMENSIONS ARE IN INCHES

SIZE	A	B	D	T (NPT)
1/2	3.00	2-1/8	3/4	1/2
3/4	3.69	2-13/16	1-1/8	3/4
1	4.00	2-13/16	1-1/8	1
1-1/2	5.03	3-5/8	1-7/16	1-1/2
2	6.35	4-11/32	1-27/32	2

	PART NAME	MATERIAL
1	BODY	ASTM B61 C92200
2	CAP	ASTM B61 C92200
3	GASKET	LOX GR. TFE 25% GL.
4	ARM	SIL.BRONZE C87300
5	ARM NUT	ASTM B98 C65100
6	DISC NUT	ASTM B98 C65100
7	DISC	PCTFE
8	DISC WASHER	ASTM B16 C36000
* 9	ARM WASHER	ASTM B16 C36000
10	DISC HOLDER	ASTM B98 C65500 OR ASTM B21 C46400
11	PIVOT PIN	18-8 ST. STL.
12	PLUG	ASTM B16 C36000
13	SEAL, PLUG	LOX GR. TFE 25% GL.

ALL INFORMATION IS SUBJECT TO LATEST REVISION * 1-1/2" & 2" VALVES ONLY

GODDARD VALVE CORPORATION 705 PLANTATION STREET WORCESTER, MA. 01605
TEL: (508) 852-2435 E-MAIL: valve@goddardvalve.com FAX: (508) 852-2443