

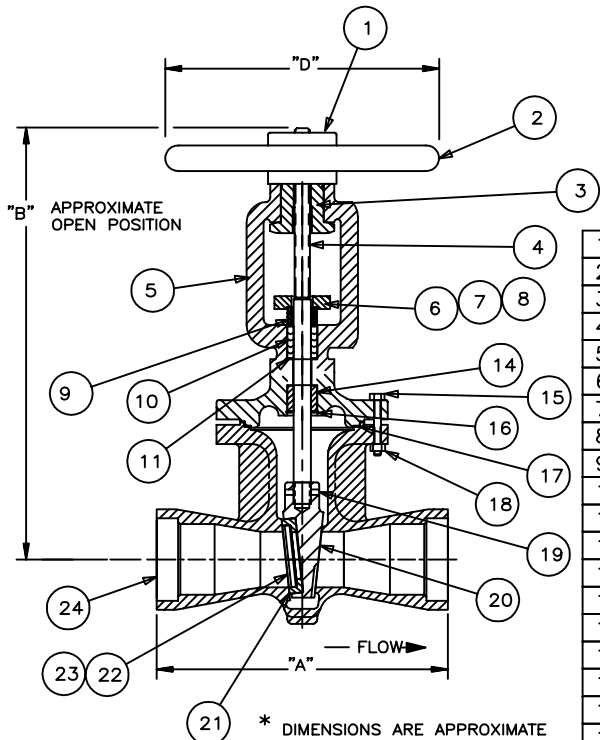
SOCKET WELD ENDS

NON-EXTENDED

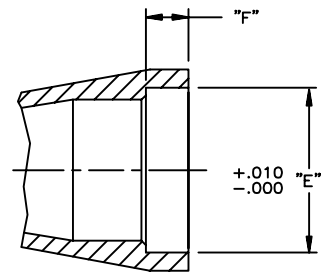
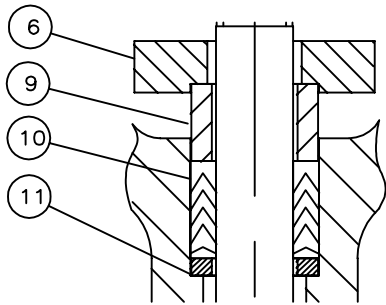
SERIES 110N (SW 150#)
STAINLESS STEEL GATE VALVE

M000714A
RELEASED 1/22/01
REVISED 4/23/01

SERVICE : 150#-275 PSI NON-SHOCK COLD
TEMPERATURE RATING +130°F TO -325°F



1	SET SCREW	300 SERIES STAINLESS STEEL
2	HANDWHEEL	MALLEABLE IRON
3	HANDWHEEL BUSHING	NAVAL BRASS
4	STEM	304 SERIES STAINLESS STEEL
5	YOKE/BONNET	ST. STL. ASTM A-351 GRADE CF8
6	GLAND FLANGE	ST. STL. ASTM A-351 GRADE CF8
7	GLAND FLANGE BOLT	ST. STL. ASTM A-320-B8 CL. 1
8	GLAND FLANGE NUT	ST. STL. ASTM A-194-8
9	PACKING ADAPTER	NAVAL BRASS
10	STEM PACKING SET	PTFE
11	CHEVRON ADAPTER	300 SERIES STAINLESS STEEL
12		
13		
14	STEM BEARING	BRONZE
15	BONNET BOLTS	ST. STL. ASTM A-320-B8 CL. 1
16	RETAINING RING	BERYLLIUM COPPER
17	GASKET	25% GLASS FILLED PTFE
18	BONNET NUTS (150# ONLY)	ST. STL. ASTM A-194-8
19	WEDGE PIN	300 SERIES STAINLESS STEEL
20	WEDGE	ST. STL. ASTM A-351 GRADE CF8
21	SEAT	PCTFE
22	SEAT CLAMP	ST. STL. ASTM A-351 GRADE CF8
23	SEAT CLAMP SCREWS	300 SERIES STAINLESS STEEL
24	BODY	ST. STL. ASTM A-351 GRADE CF8



ALL DIMENSIONS ARE IN INCHES

SIZE	"A"-150#	"B"	"D"	"E"	"F"
1/2	3-3/4	10-15/32	4-1/2	.855	3/8
3/4	3-3/4	10-15/32	4-1/2	1.065	1/2
1	3-1/2	10-15/32	4-1/2	1.330	1/2
1-1/2	4-5/8	15-9/16	7	1.915	1/2
2	8-1/2	15-9/16	7	2.406	5/8

VENTED BONNET & BODY

ALL INFORMATION IS SUBJECT TO LATEST REVISION
UNLESS OTHERWISE SPECIFIED, VALVES NOT CLEANED FOR OXYGEN SERVICE

GODDARD VALVE CORP. 705 PLANTATION STREET WORCESTER, MA. 01605
TEL: (508) 852-2435 TELEX: 92-0139 FAX: (508) 852-2443