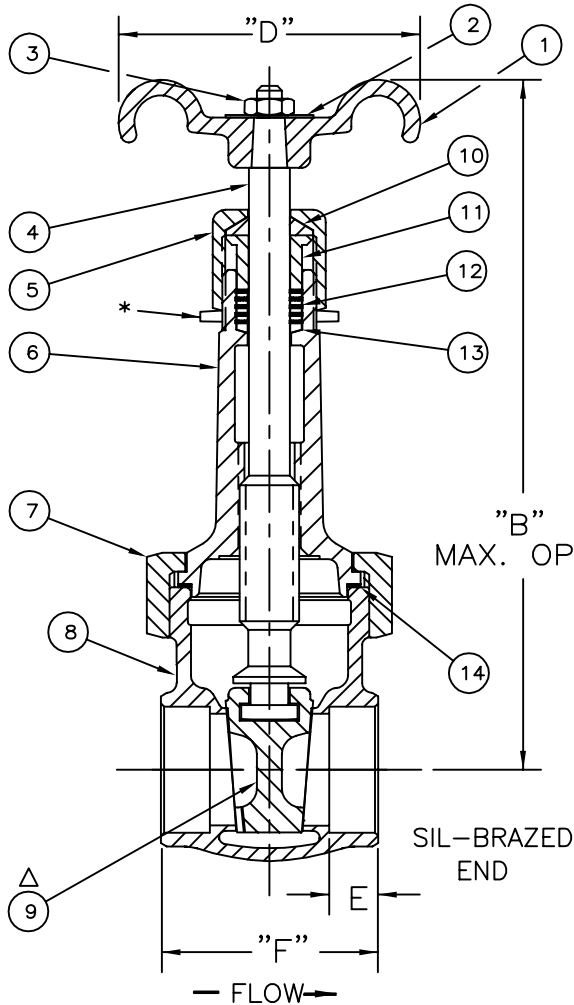


SILVER BRAZED END

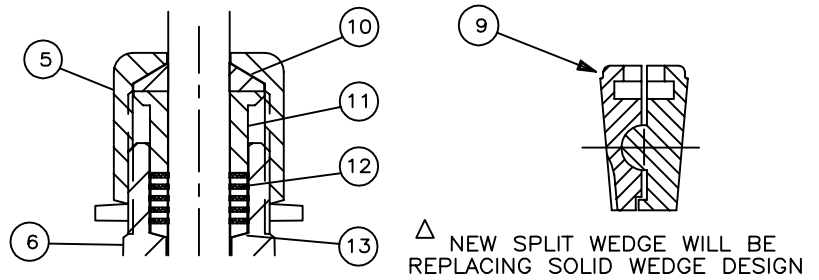


SERIES 302/4^Δ
 BRONZE GATE VALVE

M000741
RELEASED 10/3/97

Δ NON-EXTENDED VALVE
FOR SELECTIVE
COLD GAS APPLICATIONS

PRESSURE RATING 400 PSIG NON-SHOCK COLD
 TEMPERATURE RATING +130°F TO -325°F

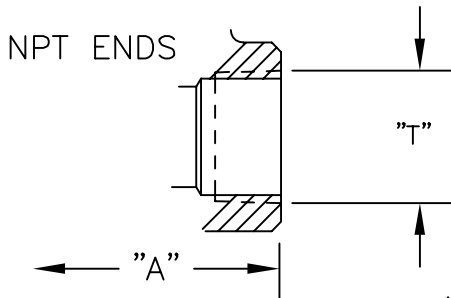


Δ NEW SPLIT WEDGE WILL BE
REPLACING SOLID WEDGE DESIGN

UNLESS OTHERWISE SPECIFIED VALVES NOT CLEANED FOR OXYGEN SERVICE

1	HANDWHEEL	MAL. IRON/ZN. CHROMATE FIN.
2	I.D. TAG	ALUMINUM
3	HANDWHEEL NUT	STEEL, CAD PLATED
4	STEM	SILICON BRONZE
5	BONNET NUT	BRASS
6	BONNET	BRONZE
7	BONNET RING	BRONZE
8	BODY	BRONZE
9	WEDGE	BRONZE
10	BONNET BEARING	PTFE 25% GLASS FILLED
11	GLAND FOLLOWER	BRASS
12	PACKING UNIT	BRASS/PTFE
13	PACKING ADAPTER	BRASS
14	BONNET GASKET	PTFE 25% GLASS FILLED

* BRASS JAM NUT PROVIDED FOR 1-1/2 & LARGER SIZES.



ALL DIMENSIONS ARE IN INCHES

SIZE	"A"	"B"	"D"	"T"	"E"	"F"
1/2	2-11/32	5-13/16	2-1/4	1/2	3/8	2-1/2
3/4	2-1/2	6-15/16	2-3/4	3/4	13/32	3
1"	2-27/32	8-7/16	3"	1"	7/16	3-1/4
1-1/2	3-7/16	11-3/16	4"	1-1/2	5/8	4
2"	3-13/16	13-3/16	4-3/4	2"	21/32	4-1/2
2-1/2	4-11/16	15-13/16	5-1/4	2-1/2	25/32	5-1/4
3"	5-1/8	18-1/4	6"	3"	53/64	6

GODDARD VALVE CORPORATION

705 PLANTATION STREET WORCESTER, MA. 01605

TEL: (508) 852-2435

E-MAIL: valve@goddardvalve.com

FAX: (508) 852-2443