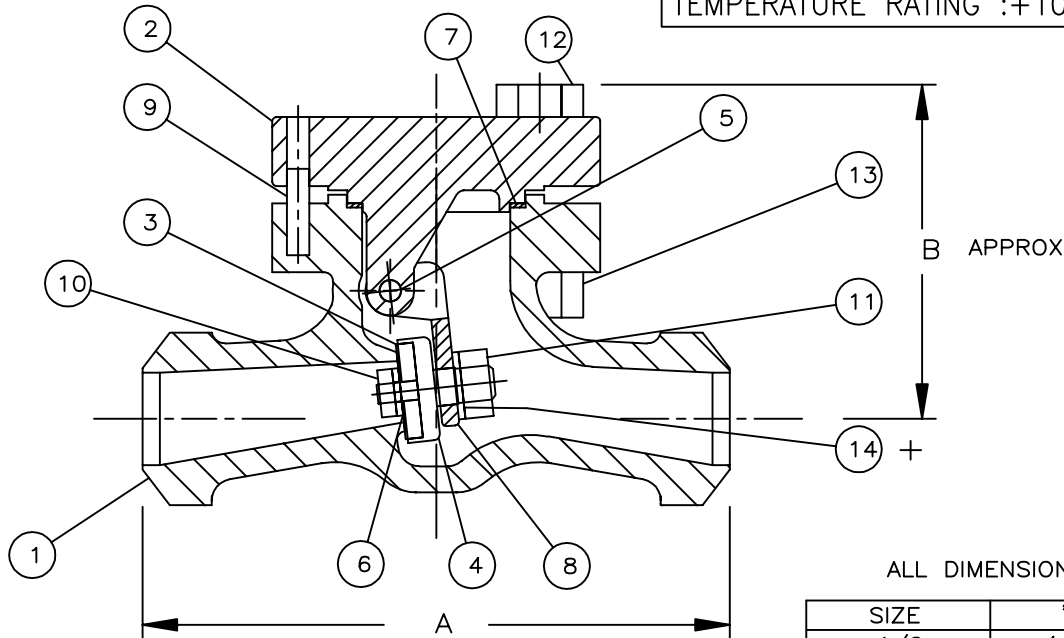


SERIES 886/4 ST-ST'L CRYOGENIC SWING CHECK VALVE

PRESSURE RATING 400 P.S.I.G. NON-SHOCK COLD
TEMPERATURE RATING :+100° F TO -325° F

M000746
RELEASED 12/30/98



ALL DIMENSIONS ARE IN INCHES

SIZE	"A"	"B"
1/2	4-1/4"	2-1/2"
1	5"	3-3/16"
1 1/2	6-1/2"	4-1/8"
2	8"	4-1/2"

UNLESS OTHERWISE SPECIFIED, VALVES NOT CLEANED FOR OXYGEN SERVICE

NO.	DESCRIPTION	MATERIAL	SPECIFICATION
1	BODY	STAINLESS STEEL	ASTM A351 CF3M
2	CAP	STAINLESS STEEL	ASTM A351 CF3M
3	DISC	PCTFE	COMMERCIAL
4	DISC HOLDER	STAINLESS STEEL	ASTM A351 CF3M OR ASTM A479 TYPE 316L
5	PIVOT PIN	NITRONIC* #60	UNS GRADE S21800
6	DISC WASHER	STAINLESS STEEL	ASTM A479 TYPE 316L
7	GASKET	PTFE, 25% GLASS FILLED	COMMERCIAL
8	ARM	STAINLESS STEEL	ASTM A351 CF3M
9	DOWEL PIN	STAINLESS STEEL	300 SERIES
10	DISC NUT	STAINLESS STEEL	300 SERIES
11	NUT	STAINLESS STEEL	300 SERIES
12	CAP BOLTS	STAINLESS STEEL	ASTM A-320 GR B8 CL1
13	CAP NUTS	STAINLESS STEEL	ASTM A-194-8
+ 14	WASHER	STAINLESS STEEL	ASTM A479 TYPE 316L

+ WHEN APPLICABLE

*REGISTERED TRADEMARK OF ARMCO INC.

ELECTRO-POLISHING OR CHEM-POLISHING AVAILABLE
UNLESS OTHERWISE SPECIFIED SCHEDULE 10 ENDS ARE SUPPLIED
ALL INFORMATION IS SUBJECT TO LATEST REVISION

GODDARD VALVE CORPORATION 705 PLANTATION STREET WORCESTER, MA. 01605
TEL: (508) 852-2435 E-MAIL: valve@goddardvalve.com FAX: (508) 852-2443