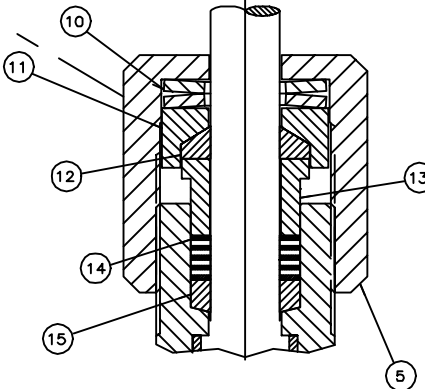
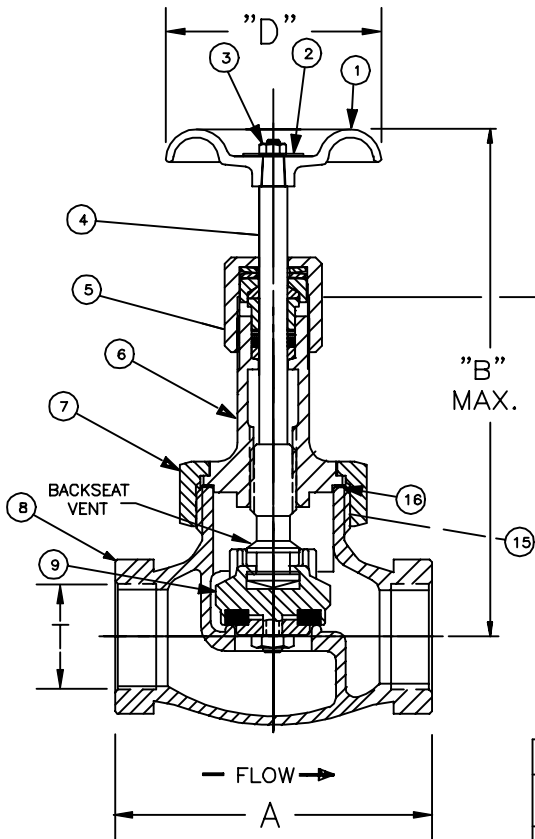


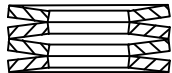

**SERIES 206LL(1/4-1")**  
**SERIES 206ULL(1-1/2 & 2")**  
**BRONZE CRYOGENIC GLOBE VALVE**  
**LIVE LOADED PACKING**

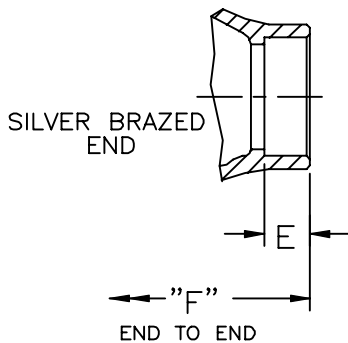
M001001A  
 RELEASED 2/16/01  
 REVISED 3/7/01  
 REVISED 1/18/02  
 REVISED 2/27/02

ALL INFORMATION IS SUBJECT TO LATEST REVISION

PRESSURE RATING: MSS SP-80 CLASS 300  
 MAWP: 600 PSIG NON-SHOCK COLD  
 TEMPERATURE RATING: +100°F TO -325°F  
 REF. DESIGN STD: ASTM B31.3 AND MSS SP-80



  
 USE (4) SPRINGS ON  
 1/2" VALVE  
  
 USE (2) SPRINGS ON  
 1", 1-1/2", 2" VALVES



ALL DIMENSIONS ARE IN INCHES

#	ITEM	MATERIAL	MATERIAL SPEC.
1	HANDWHEEL	MAL./DUCTILE IRON ZN CHROMATE FIN.	ASTM A47 OR A395
2	I.D. TAG	ALUMINUM	ASTM H26 SERIES AA100
3	HANDWHEEL NUT	STEEL, PLATED	IFI-100/107 GR 2 STEEL
4	STEM	SILICON BRASS	ASTM B371 C69400
5	BONNET NUT	BRASS	ASTM B16 C36000
6	BONNET	BRONZE	ASTM B61 C92200
7	BONNET RING	BRONZE	ASTM B61 C92200
8	BODY	BRONZE	ASTM B61 C92200
9	SEAT ASSEMBLY	BRONZE	ASTM B61 C92200 OR ASTM B21 C46400
		PCTFE	PCTFE
		BRASS	ASTM B16 C36000
		BRONZE	ASTM B98 C65100
10	SPRING	STAINLESS STEEL	AISI 300 SERIES
11	WASHER	BRASS	ASTM B16 C36000
12	BONNET BEARING	PTFE 25% GLASS FILLED	PTFE 25% GLASS FILLED
13	GLAND FOLLOWER	BRASS	ASTM B16 C36000
14	PACKING UNIT	BRASS/PTFE	ASTM B16 C36000/PTFE
15	PACKING ADAPTER	BRASS	ASTM B16 C36000
16	BONNET GASKET	PTFE 25% GLASS FILLED	PTFE 25% GLASS FILLED

UNION BONNET DESIGN

SERIES	SIZE	"A"	"B"	"D"	"T" NPT	"E"	"F"
206LL	1/4	2-5/16	4-5/8	2"	1/4	17/64	2-3/8
206LL	3/8	2-5/16	4-5/8	2"	3/8	5/16	3"
206LL	1/2	2-5/8	5"	2-3/8	1/2	3/8	3-1/4
206LL	3/4	3-3/16	5-3/4	2-3/4	3/4	13/32	3-3/4
206LL	1"	3-3/4	6-3/4	3"	1"	7/16	4-1/4
* 206ULL	1-1/2	4-3/4	8-5/8	4"	1-1/2	5/8	5-1/4
* 206ULL	2"	5-3/4	11-3/4	4-3/4	2	21/32	6-1/2

\* BOLTED BONNET DESIGN ALSO AVAILABLE 1-1/2" AND 2" SIZE ONLY SEE SERIES 206BLL (DWG M001001B)