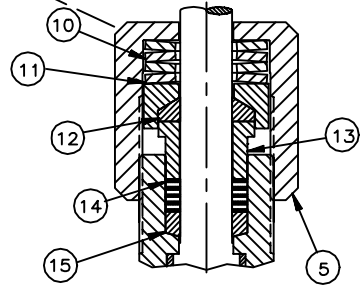
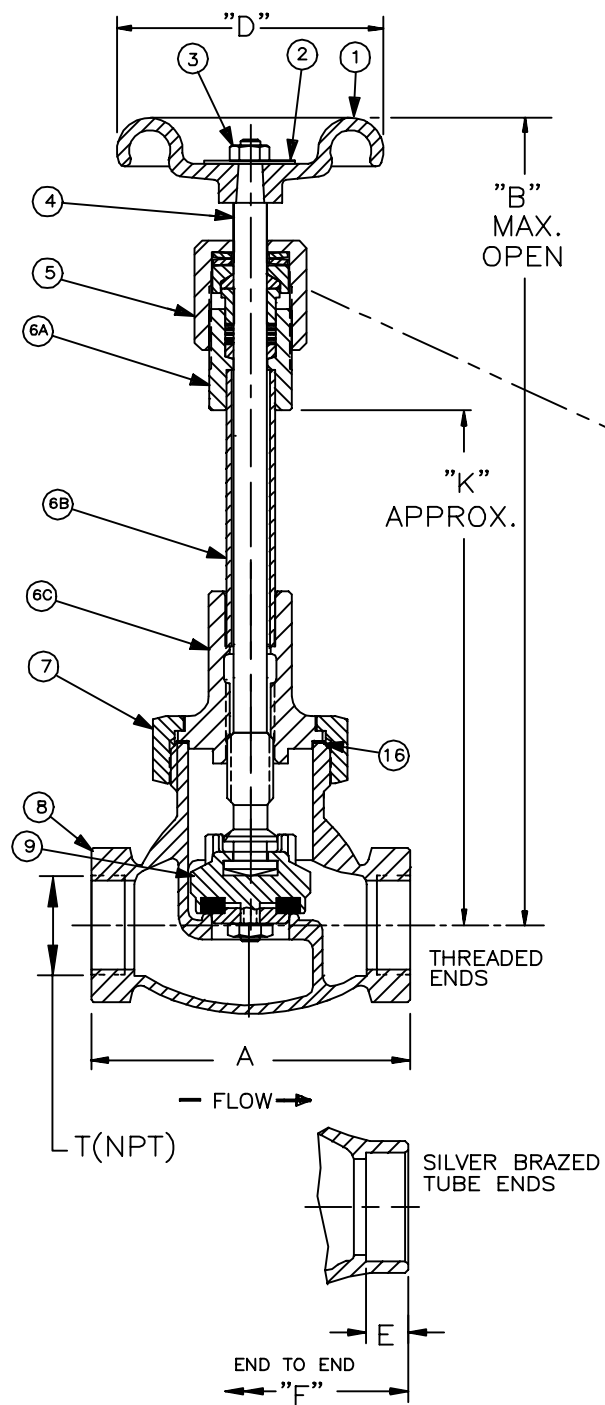
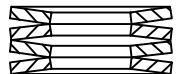
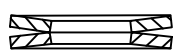


SERIES 226LL (1/4" - 1")
SERIES 226ULL (1-1/2" & 2")
BRONZE CRYOGENIC GLOBE VALVE
LIVE LOADED PACKING

M-001002A
 RELEASED 2/16/01 REVISD 11/1/01
 REVISED 3/7/01 REVISD 2/28/02
 REVISED 9/25/01

ALL INFORMATION IS SUBJECT TO LATEST REVISION
 PRESSURE RATING: MSS SP-80 CLASS 300
 MAWP: 600 PSIG NON-SHOCK COLD
 TEMPERATURE RATING: +100°F TO -325°F
 REF. DESIGN STD: ASTM B31.3 AND MSS SP-80




 USE (4) SPRINGS ON
 1/2" VALVE

 USE (2) SPRINGS ON
 1", 1-1/2", 2" VALVES

#	ITEM	MATERIAL	MATERIAL SPEC.
1	HANDWHEEL	MAL./DUCTILE IRON ZN CHROMATE FIN.	ASTM A47 OR A395
2	I.D. TAG	ALUMINUM	ASTM H26 SERIES AA100
3	HANDWHEEL NUT	STEEL, CAD PLATED	IFI-100/107 GR 2 STEEL
4	STEM	STAINLESS STEEL	ASTM A479 TYPE 304
5	BONNET NUT	BRASS	ASTM B16 C36000
6A	BONNET EXT.	BRASS	ASTM B16 C36000
6B	EXT. TUBE	STAINLESS STEEL	ASTM A269 TYPE 304
6C	BONNET	BRONZE	ASTM B61 C92200
7	BONNET RING	BRONZE	ASTM B61 C92200
8	BODY	BRONZE	ASTM B61 C92200
9	SEAT ASSEMBLY	BRONZE	ASTM B61 C92200 OR B21 C46400
		PCTFE	PCTFE
		BRASS	ASTM B16 C36000
		BRONZE	ASTM B98 C65100
10	SPRING	STAINLESS STEEL	AISI 300 SERIES
11	WASHER	BRASS	ASTM B16 C36000
12	BONNET BEARING	PTFE 25% GLASS FILLED	PTFE 25% GLASS FILLED
13	GLAND FOLLOWER	BRASS	ASTM B16 C36000
14	PACKING UNIT	BRASS/PTFE	ASTM B16 C36000/PTFE
15	PACKING ADAPTER	BRASS	ASTM B16 C36000
16	BONNET GASKET	PTFE 25% GLASS FILLED	PTFE 25% GLASS FILLED

ALL DIMENSIONS ARE IN INCHES
 UNION BONNET DESIGN

SERIES	SIZE	"A"	"B"	"D"	"T" NPT	"E"	"F"	"K"
226LL	1/4	2-5/16	7-9/16	2"	1/4	17/64	2-3/8	4-19/32
226LL	3/8	2-5/16	7-9/16	2"	3/8	5/16	3"	4-19/16
226LL	1/2	2-5/8	8-1/4	2-3/8	1/2	3/8	3-1/4	4-7/8
226LL	3/4	3-3/16	8-5/8	2-3/4	3/4	13/32	3-3/4	4-13/16
226LL	1	3-3/4	10-1/2	3"	1	7/16	4-1/4	6-1/2
* 226ULL	1-1/2	4-3/4	14-5/8	4"	1-1/2	5/8	5-1/4	9-11/16
* 226ULL	2	5-3/4	15-1/8	4-3/4	2"	21/32	6-1/2	9-11/16

* BOLTED BONNET DESIGN ALSO AVAILABLE 1-1/2" AND 2" SIZE ONLY SEE SERIES 226BLL (DWG M001002B).

