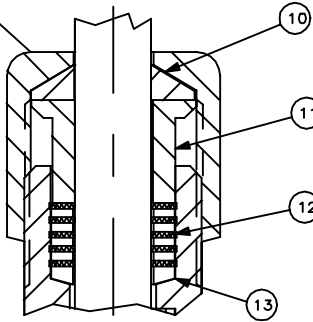
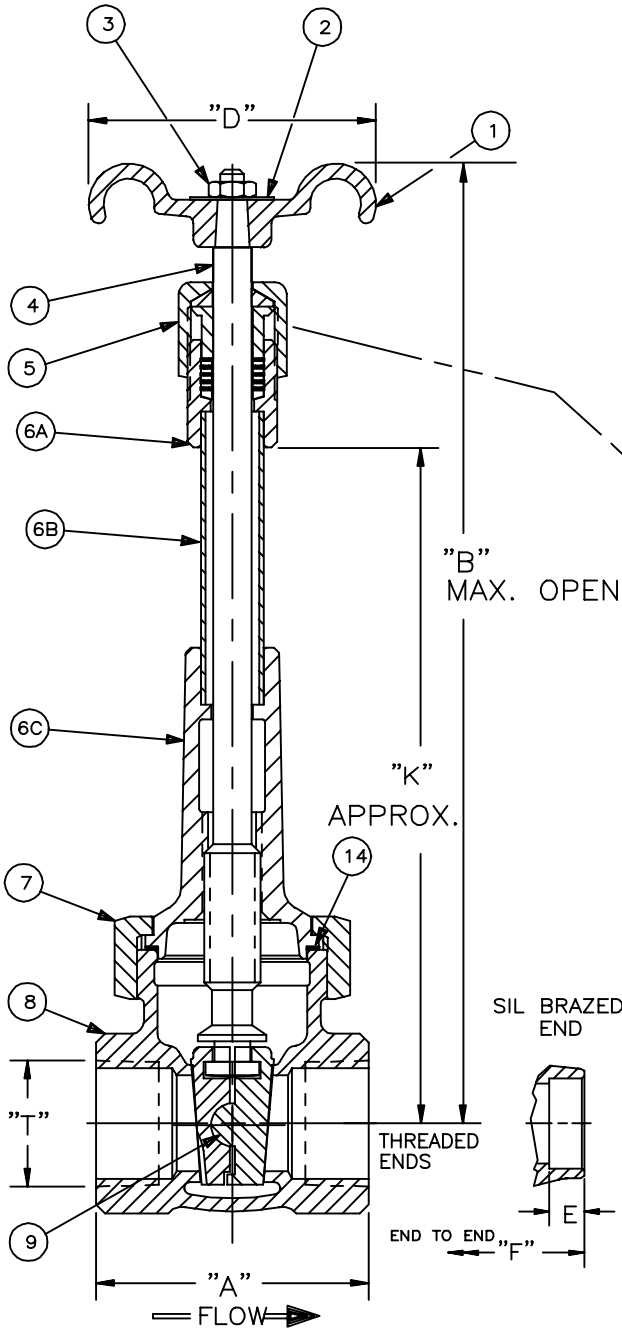


# SERIES 326 BRONZE CRYOGENIC GATE VALVE

M001004  
RELEASED 2/16/01  
REVISED 3/07/01  
REVISED 3/6/02

PRESSURE RATING: MSS SP-80 CLASS 300  
MAWP: 600 PSIG NON-SHOCK COLD  
TEMPERATURE RATING: +100°F TO -325°F  
REF. DESIGN STD: ASTM B31.3 AND MSS SP-80

ALSO AVAILABLE AS A GLOBE VALVE  
UNLESS OTHERWISE SPECIFIED VALVES  
NOT CLEANED FOR OXYGEN SERVICE



UNLESS OTHERWISE SPECIFIED VALVES NOT CLEANED FOR OXYGEN SERVICE

Part Number	Description	Material
1	HANDWHEEL	MAL. IRON/ZN. CHROMATE FIN.
2	I.D. TAG	ALUMINUM
3	HANDWHEEL NUT	STEEL, CAD PLATED
4	STEM	ASTM A479 S30400
5	BONNET NUT	ASTM B16 C36000
6A	BONNET EXTENSION	ASTM B16 C36000
6B	EXTENSION TUBE	ASTM A269 S30400
6C	BONNET	ASTM B61 C92200
7	BONNET RING	ASTM B61 C92200
8	BODY	ASTM B61 C92200
9	WEDGE	ASTM B61 C92200
10	BONNET BEARING	PTFE 25% GLASS FILLED
11	GLAND FOLLOWER	ASTM B16 C36000
12	PACKING UNIT	BRASS/PTFE
13	PACKING ADAPTER	ASTM B16 C36000
14	BONNET GASKET	PTFE 25% GLASS FILLED

ALL INFORMATION IS  
SUBJECT TO LATEST REVISION

ALL DIMENSIONS ARE IN INCHES

SIZE	"A"	"B"	"D"	"T" NPT	"E"	"F"	"K"
1/2	2-11/32	9-3/8	2-1/4	1/2	3/8	2-1/2	5-1/2
3/4	2-1/2	10-9/16	2-3/4	3/4	13/32	3	6-1/8
1"	2-27/32	12-3/8	3"	1"	7/16	3-1/4	7-11/16
1-1/2	3-7/16	17	4	1-1/2	5/8	4	10-7/8
2	3-13/16	19-5/8	4-3/4	2	21/32	4-1/2	12-3/8

GODDARD VALVE CORPORATION

TEL: (508) 852-2435

705 PLANTATION STREET WORCESTER, MA. 01605

E-MAIL: valve@goddardvalve.com

FAX: (508) 852-2443