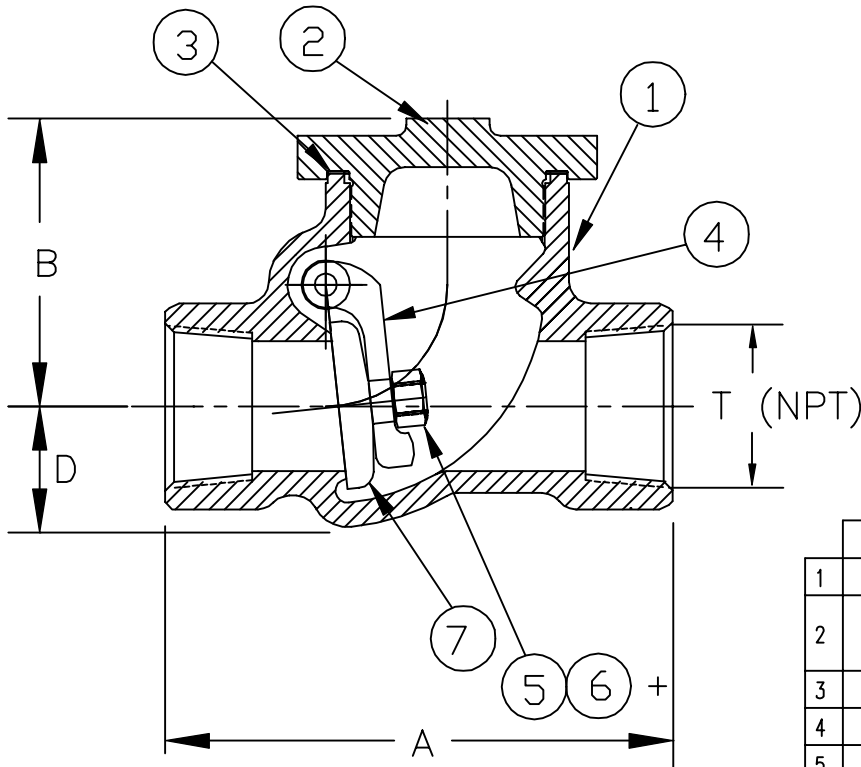
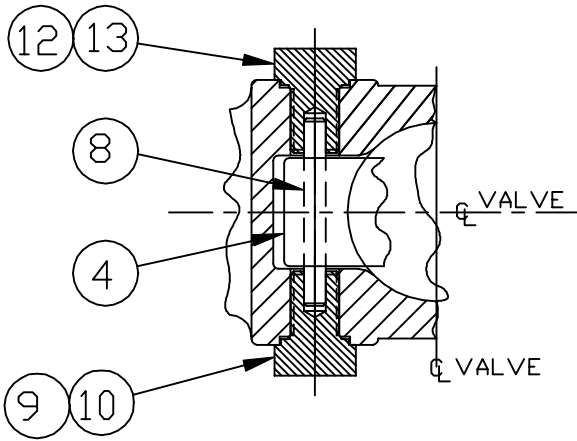


**SERIES 846M (NPT)
BRONZE CRYOGENIC SWING CHECK VALVE**

M001005A
RELEASED 3/6/02

PRESSURE RATING: MSS SP-80 CLASS 300
 MAWP: 600 PSIG NON-SHOCK COLD
 TEMPERATURE RATING: +100°F TO -325°F
 REF. DESIGN STD: ASTM B31.3 AND MSS SP-80

NOTE: UNLESS OTHERWISE SPECIFIED VALVES
NOT CLEANED FOR OXYGEN SERVICE.



ALL DIMENSIONS ARE IN INCHES

SIZE	A	B	D	T (NPT)
1/2	3.00	2-1/8	3/4	1/2
3/4	3.69	2-13/16	1-1/8	3/4
1	4.00	2-13/16	1-1/8	1
1-1/2	5.03	3-5/8	1-7/16	1-1/2
2	6.35	4-11/32	1-27/32	2

	PART NAME	MATERIAL
1	BODY	ASTM B61 C92200
2	CAP	ASTM B21 C46400 OR ASTM B61 C92200
3	GASKET	LOX GR. TFE 25% GL.
4	ARM	SILICON BRONZE C87300
5	ARM NUT	ASTM B98 C65100
+ 6	ARM WASHER	ASTM B16 C36000
7	DISC (METAL)	ASTM B21 C46400 OR ASTM B98 C65500
8	PIVOT PIN	18-8 ST. STL.
12	PLUG	ASTM B16 C36000
13	SEAL, PLUG	LOX GR. PTFE 25% GL.

+ 1-1/2" & 2" VALVES ONLY

ALL INFORMATION IS SUBJECT TO LATEST REVISION

GODDARD VALVE CORPORATION 705 PLANTATION STREET WORCESTER, MA. 01605
 TEL: (508) 852-2435 E-MAIL: valve@goddardvalve.com FAX: (508) 852-2443