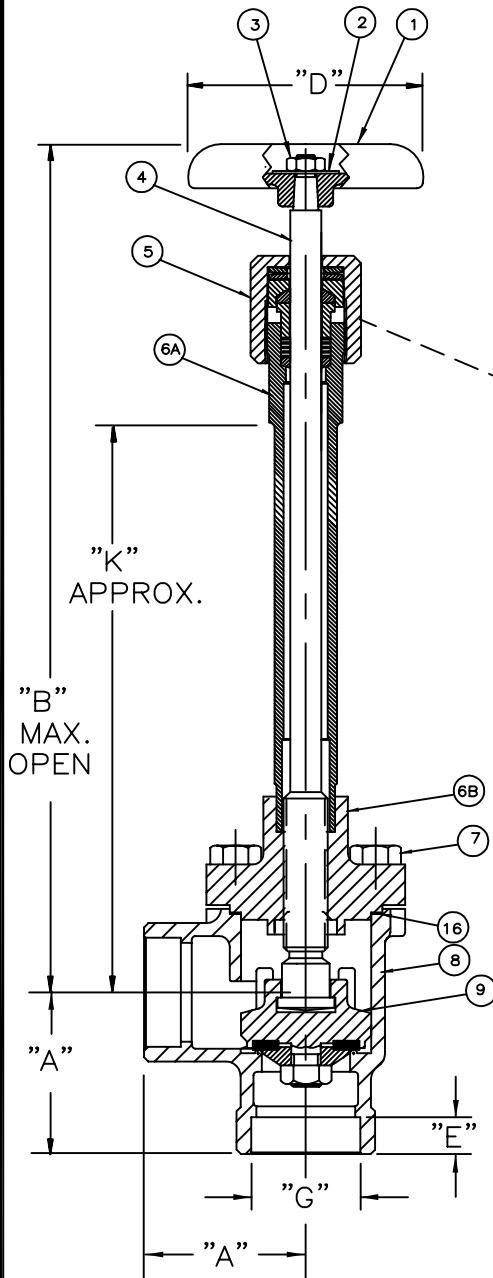


SERIES 226LLA BRONZE CRYOGENIC GLOBE VALVE LIVE LOADED PACKING

M001006
RELEASED 2/16/01
REVISED 3/8/01

ALL INFORMATION IS SUBJECT TO LATEST REVISION

PRESSURE RATING: MSS SP-80 CLASS 300
MAWP: 600 PSIG NON-SHOCK COLD
TEMPERATURE RATING: +100°F TO -325°F
REF. DESIGN STD: ASTM B31.3 AND MSS SP-80



| # | ITEM | MATERIAL | MATERIAL SPEC. |
|----|-----------------|--------------------------------|--------------------------------|
| 1 | HANDWHEEL | MAL. IRON/ZN. CHROMATE FIN. | MAL. IRON/ZN. CHROMATE FIN. |
| 2 | I.D. TAG | ALUMINUM | COMMERCIAL |
| 3 | HANDWHEEL NUT | STEEL, CAD PLATED | IFI-100 |
| 4 | STEM | STAINLESS STEEL | ASTM A276 TYPE 304 |
| 5 | BONNET NUT | BRASS | ASTM B16 C36000 |
| 6A | EXT. TUBE | STAINLESS STEEL | ASTM A351 GRADE CF8 |
| 6B | BONNET | BRONZE | ASTM B61 C92200 |
| 7 | BONNET BOLTS | STEEL | ASTM A320 GR B8 CL.1 |
| 8 | BODY | BRONZE | ASTM B61 C92200 |
| 9 | SEAT ASSEMBLY | BRONZE/PCTFE | ASTM B61 C92200/PCTFE |
| 10 | SPRING | STAINLESS STEEL | AISI 300 SERIES |
| 11 | WASHER | BRASS | ASTM B16 C36000 |
| 12 | BONNET BEARING | PTFE 25% GLASS FILLED | PTFE 25% GLASS FILLED |
| 13 | GLAND FOLLOWER | BRASS | ASTM B16 C36000 |
| 14 | PACKING UNIT | BRASS/PTFE | ASTM B16 C36000/PTFE |
| 15 | PACKING ADAPTER | BRASS | ASTM B16 C36000 |
| 16 | BONNET GASKET | PTFE 25% GLASS FILLED | PTFE 25% GLASS FILLED |

Δ MAY BE SUPPLIED AS A 3 PIECE BRAZEMENT
EXTENTION TUBE: ASTM A269 TYPE 304
BONNET EXT.: ASTM B16 C36000

ALL DIMENSIONS ARE IN INCHES

| SIZE | "A" | "B" | "D" | "E" | "G" | "K" |
|-------|-------|--------|-----|-----|-------------|---------|
| 1-1/2 | 2-5/8 | 14-5/8 | 4 | 5/8 | 1.629/1.632 | 9-11/16 |