

Mueller Steam Specialty

Models: 351M, 352M, 358S*, 352-1/2

* 358S supersedes model 353-1/2M. Consult factory.

WORKING PRESSURES - NON-SHOCK		
	STEAM	WOG
351M	150 PSI @ 350°F	200 PSI @ 150°F
352M	300 PSI @ 350°F	400 PSI @ 150°F
358S		400 PSI @ 100°F
352-1/2	250 SWP @ 425°F	

Cast Bronze Screwed, Solder and Sil-Braze End "Y" Type Strainer

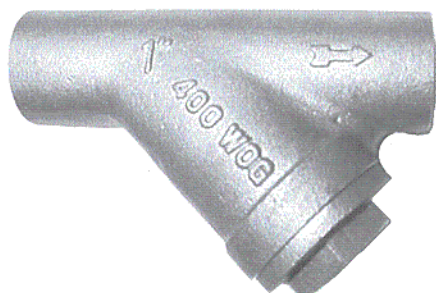
351M (Screwed) **Class 125**

358S (Solder) **Class 125**

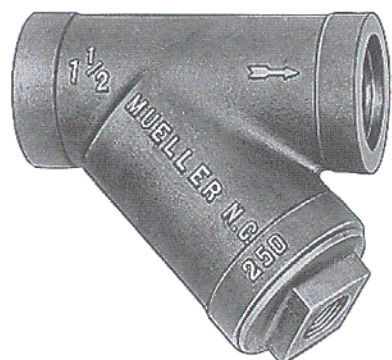
352M (Screwed) **Class 250**



Models 351M Screwed ends (shown)
352M Screwed ends



Model 358S Solder Joint



Model 352-1/2 Sil-Braze ends

SERVICE RECOMMENDATIONS

These compact strainers can be used extensively to strain foreign matter from pipelines and provide inexpensive protection for costly pumps, meters, valves and similar equipment.

SCREENS

Models 351M and 352M are furnished with .033" (.84mm) perforated stainless steel screens for steam service; 20 mesh [1/32" (.80mm) openings] for water service.

CONSTRUCTION

All models have machined screen seats in the body and cap to assure perfect screen alignment and easy reassembly when servicing is required. Military strainers are furnished in ASTM B-61 bronze; commercial strainers in ASTM B-62 bronze. All sizes feature a straight threaded, gasketed cap.

SELF CLEANING

Self cleaning is accomplished by opening the valve or plug connected to the blowoff outlet.

FEATURES

In addition to the usual commercial applications the 352-1/2 is in complete accordance with Military specifications and conforms to the latest revision of BuShip Drawing 80064-810-841499. Unless otherwise specified all sizes of Model 352-1/2 are furnished grooved, less rings.

BLOWOFF OUTLETS

Unplugged, NPT blowoff connections are provided for commercial strainers. BuShip Drawings 80064-810-841499 strainers are supplied without blowoff connections. See chart on next page for blowoff plug sizes in inches.

PRESSURE DROP: Consult Factory.

MATERIAL: 351M, 352M, 352-1/2, 358S

(commercial)

Body and Cap Bronze ASTM B62
Screen 304 SS ASTM A240
Gasket Non-asbestos

352-1/2 (military)

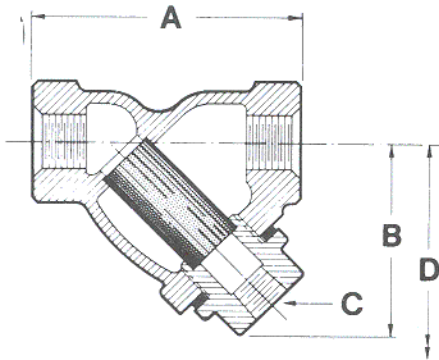
Body and Cap Bronze ASTM B61
Screen 304 SS ASTM A240
Gasket Copper

*ANSI B 16.18 states that the maximum operating pressure of 95-5 Tin-Antimony solder sweat connections. 358S rating, 175 PSI @ 250°F & 400 PSI @ 100°F

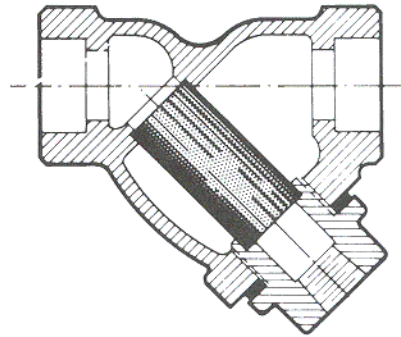


Mueller Steam Specialty

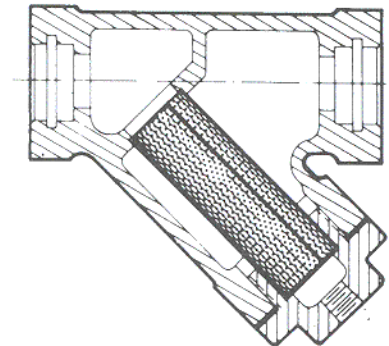
Dimensions and Weights



Model 351M, 352M



Model 358S



Model 352-1/2

SIZE		in	1/4	3/8	1/2	3/4	1	1-1/4	1-1/2	2	2-1/2	3	4		
		mm	6	10	15	20	25	32	40	50	65	80	100		
A	351M, 352M	in	2-3/4	2-3/4	2-3/4	3	3-3/4	4-7/16	4-15/16	6-1/8	8-1/4	9			
		mm	70	70	70	76	95	113	125	156	210	229			
	358S	in	3	3	3	3-11/16	4-3/4	5-7/16	5-15/16	7-9/16	9-3/4	10-3/8			
		mm	76	76	76	93	120	138	150	192	248	264			
	352-1/2	in	2-9/16	2-9/16	2-15/16	3-3/8	4-1/8	4-13/16	5-3/8	6-5/8	7-7/8	11-3/4		15-3/16	386
		mm	65	65	75	86	105	122	137	168	200	298			
B	351M, 352M	in	2-1/4	2-1/4	2-1/4	2-9/16	2-3/4	3-5/8	3-7/8	5-1/8	6	6-3/4			
		mm	57	57	57	65	70	81	98	130	152	171			
	358S	in	2-1/4	2-1/4	2-1/4	2-9/16	2-3/4	3-5/8	3-7/8	5-1/8	6	6-3/4			
		mm	57	57	57	65	70	81	98	130	152	171			
	352-1/2	in	1-7/8	1-7/8	2-1/8	2-9/16	3-1/8	3-1/8	4-3/16	5-3/8	6-1/2	7		11-3/8	289
		mm	48	48	54	65	79	90	122	137	165	178			
C	351M, 352M	in	1/4	1/4	1/4	3/8	3/8	3/4	3/4	1	1-1/4	1-1/2			
		mm	6	6	6	10	10	20	20	25	32	38			
	358S	in	1/4	1/4	1/4	3/8	3/8	3/4	3/4	1	1-1/4	1-1/2			
		mm	6	6	6	10	10	20	20	25	32	38			
	352-1/2	in	1/8	1/8	1/8	1/4	1/4	3/8	1/2	3/4	1	1		Blind Cover	-
		mm	3	3	3	6	6	10	15	20	25	25			
D	351M, 352M	in	2-1/2	2-1/2	2-1/2	2-5/8	3-3/8	4-5/8	5	6-7/8	8-3/4	9-3/4			
		mm	64	64	64	67	86	117	127	175	222	248			
	358S	in	2-1/2	2-1/2	2-1/2	2-5/8	3-3/8	4-5/8	5	6-7/8	8-3/4	9-3/4			
		mm	64	64	64	67	86	117	127	175	222	248			
	352-1/2	in	2-3/4	2-3/4	3	4	4-1/2	5-1/2	6-1/2	8-1/4	10	10-1/2		16	406
		mm	70	70	76	102	114	140	165	210	254	267			
WEIGHTS															
	351M, 352M, 358S	lb	.75	.75	.75	1.38	2.13	3.13	4.5	7	12.5	18			
		kg	.34	.34	.34	.62	.96	1.4	2	3.1	5.6	8			
	352-1/2	lb	.75	.75	1	1.75	2.5	4.25	5.5	8.25	15.5	36	90		
		kg	.34	.34	.45	.79	1.1	1.9	2.5	3.7	7	16	41		

Approximate Dimensions and Weights. Apply For Certified Drawings.

